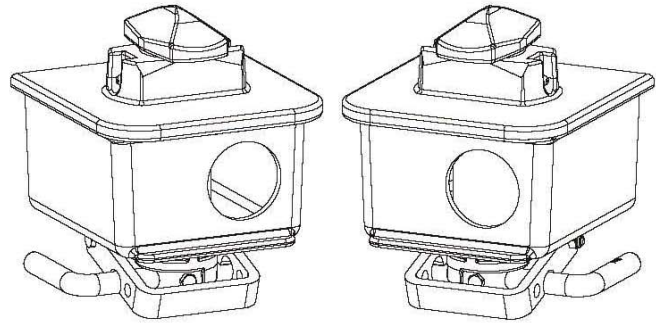
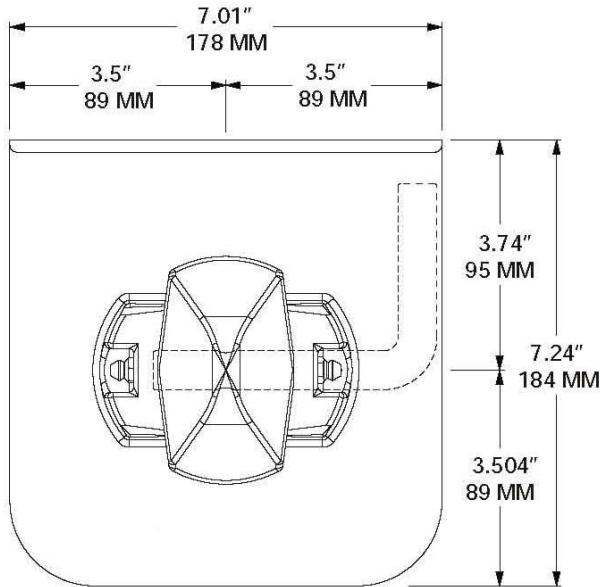




## TWISTLOCKS WITH LIGHT HOLES NON-RETRACTABLE

**MODEL 1101-1131-L**

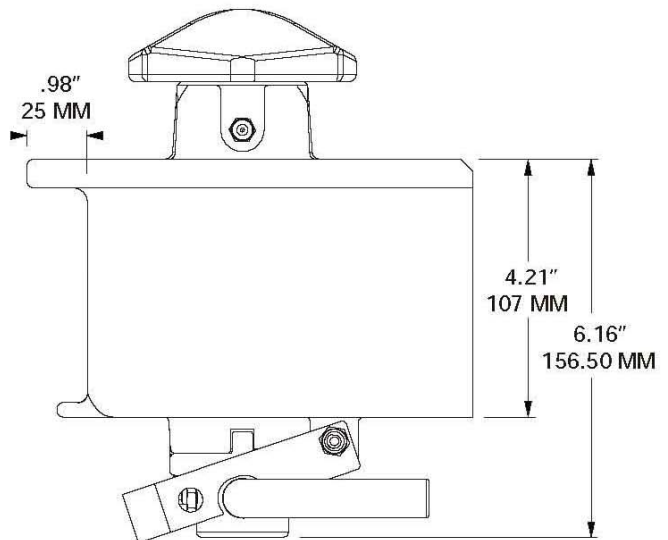
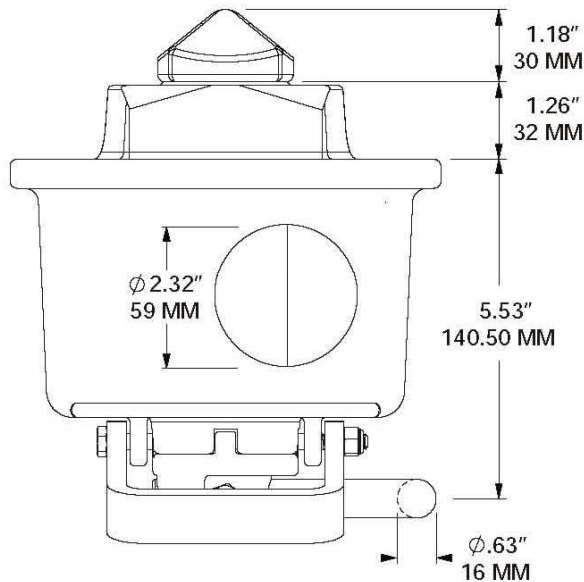
**MODEL 1101-1131-R**



(LEFT LOCKING)  
FOR FRONT CURBSIDE  
OR REAR ROADSIDE

(RIGHT LOCKING)  
FOR FRONT ROADSIDE  
OR REAR CURBSIDE

- CAST STEEL HOUSING AND FORGED STEEL PIN
- MEETS AAR SPECIFICATIONS FOR RAIL USE
- EASILY CHANGED FROM LEFT TO RIGHT HAND WITH NO EXTRA PARTS
- DUAL GREASE FITTINGS
- LEDGES EXTENDED TO PROTECT LIGHT



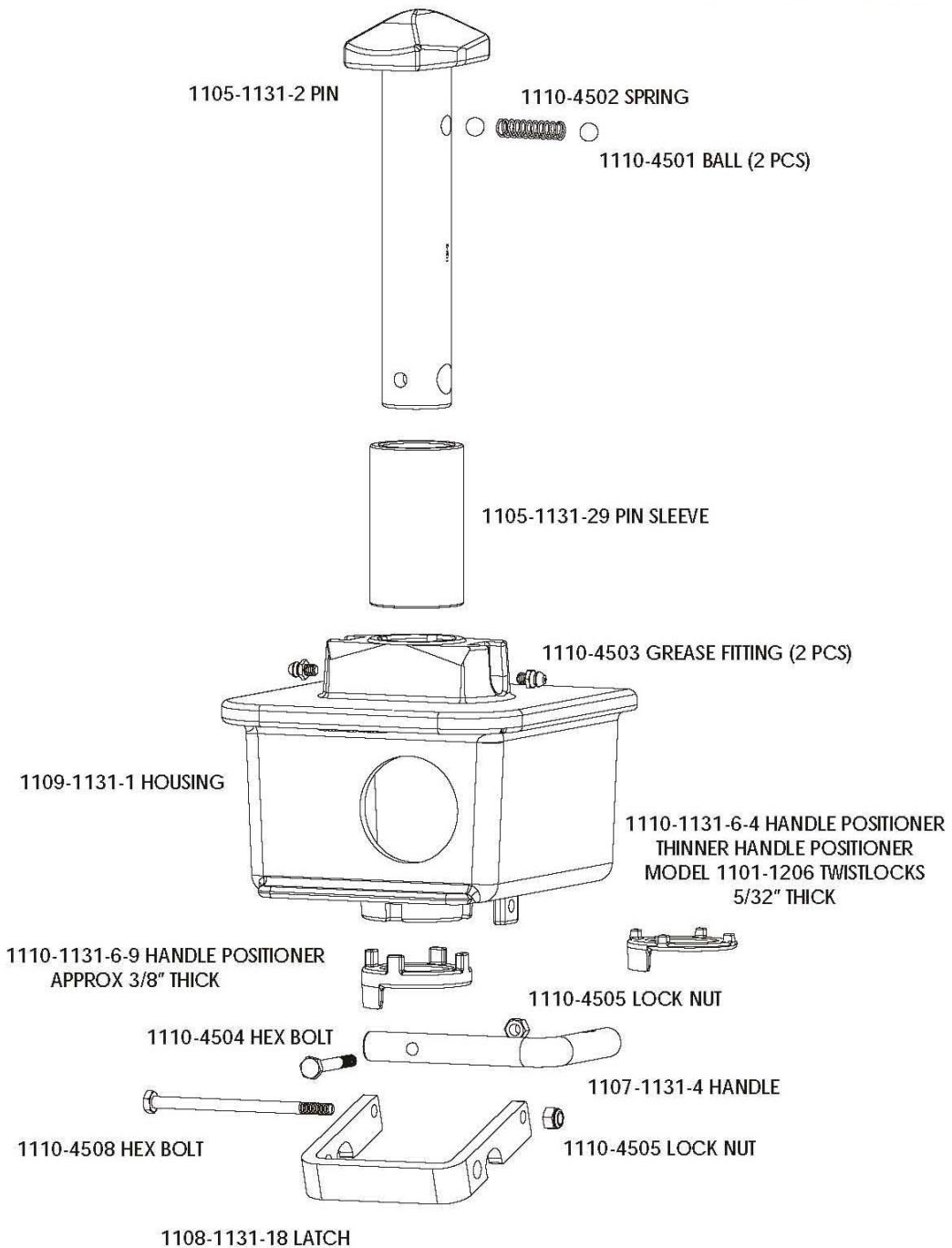
WEIGHT: 23.4 LBS / 10.6 KGS  
FINISH: WELDABLE PRIMER



# TWISTLOCKS WITH LIGHT HOLES NON-RETRACTABLE

**MODEL 1101-1131-L**

**MODEL 1101-1131-R**

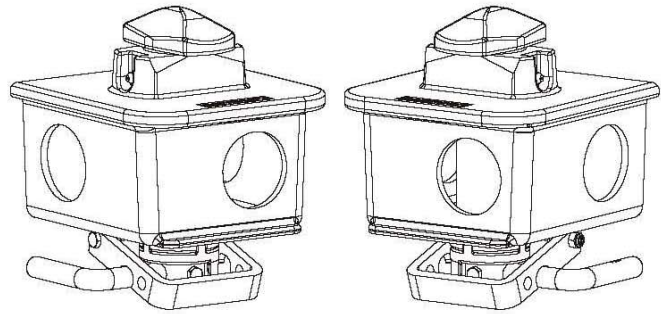
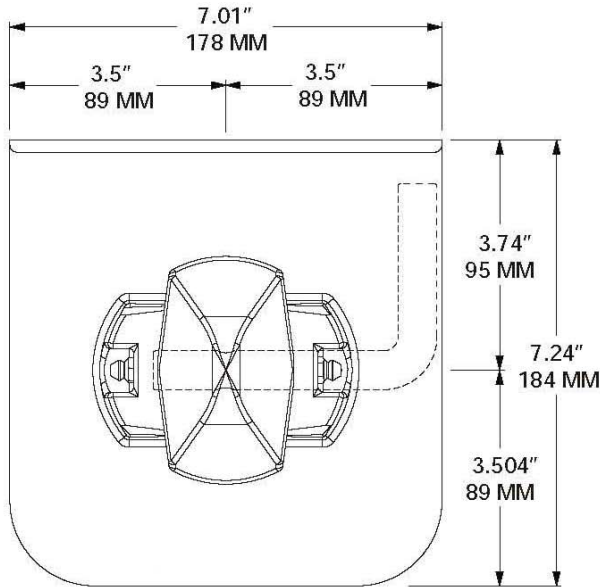




## TWISTLOCKS WITH LIGHT HOLES NON-RETRACTABLE

**MODEL 1101-1206-L**

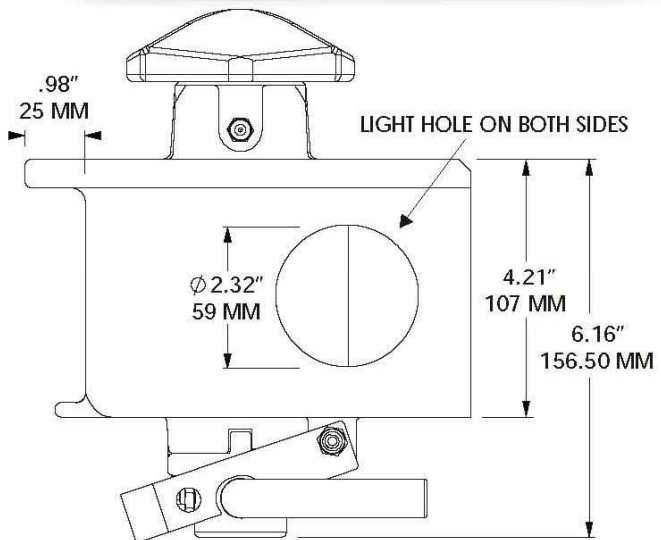
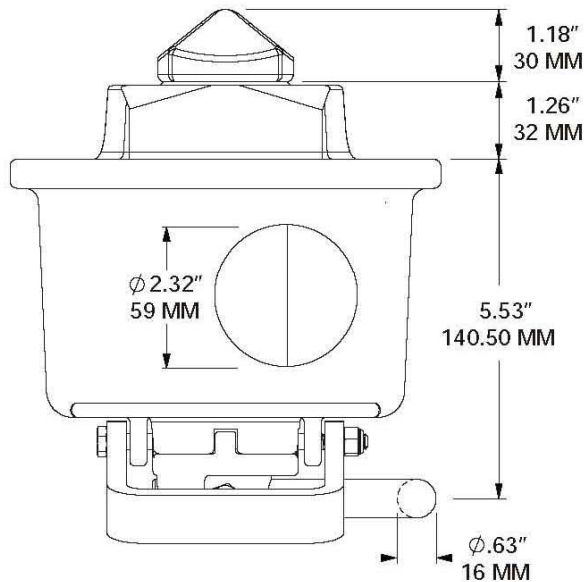
**MODEL 1101-1206-R**



(LEFT LOCKING)  
FOR FRONT CURBSIDE  
OR REAR ROADSIDE

(RIGHT LOCKING)  
FOR FRONT ROADSIDE  
OR REAR CURBSIDE

- CAST STEEL HOUSING AND FORGED STEEL PIN
- MEETS AAR SPECIFICATIONS FOR RAIL USE
- EASILY CHANGED FROM LEFT TO RIGHT HAND WITH NO EXTRA PARTS
- 3 LIGHT HOLES IN HOUSINGS. UNUSED LIGHT HOLES CAN BE BLANKED OFF WITH PART NO. 1110-1209 VINYL HOLE PLUG
- DUAL GREASE FITTINGS
- LEDGES EXTENDED TO PROTECT LIGHTS



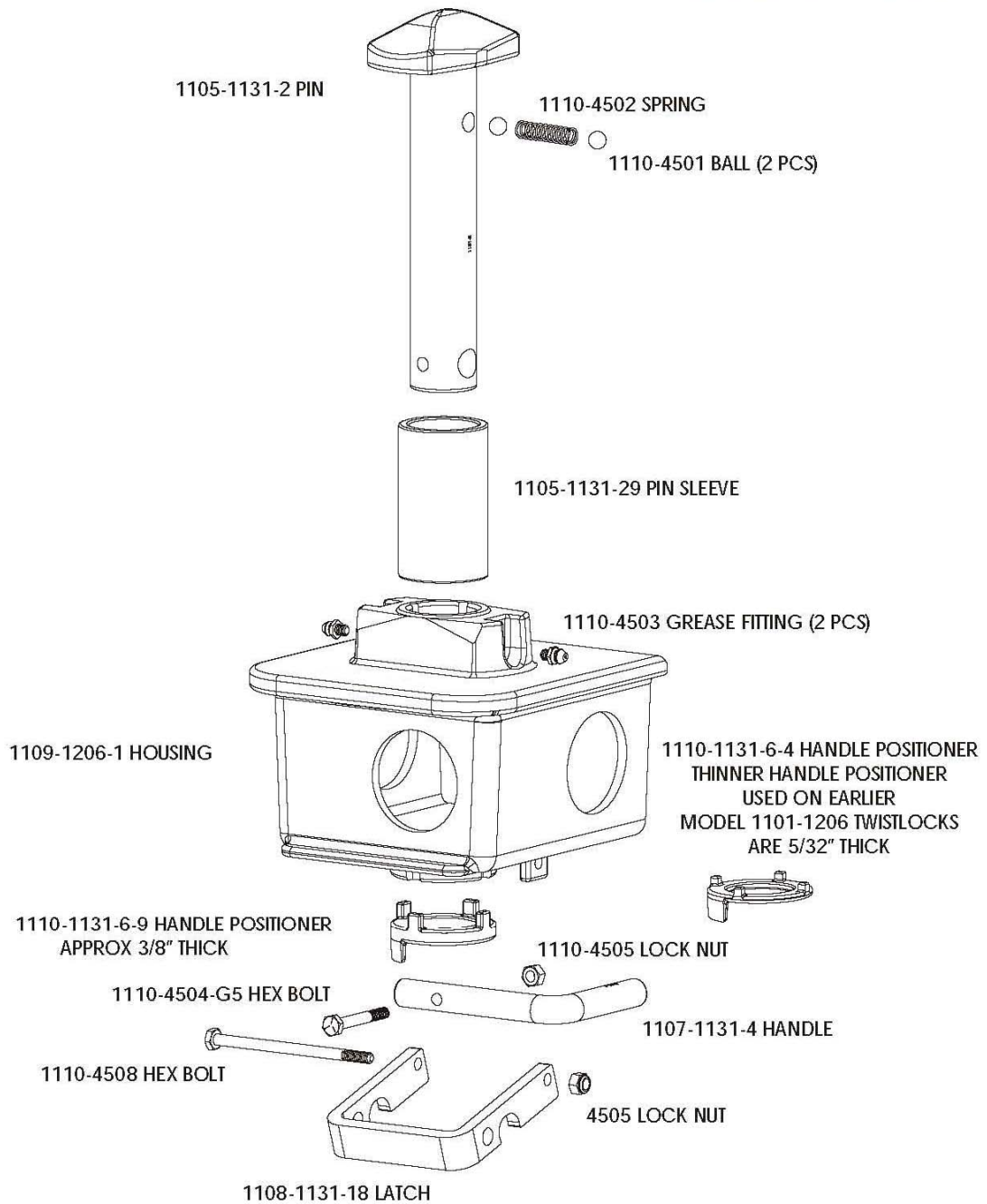
WEIGHT: 21.6 LBS / 10.2 KGS  
FINISH: WELDABLE PRIMER



# TWISTLOCKS WITH LIGHT HOLES NON-RETRACTABLE

**MODEL 1101-1206-L**

**MODEL 1101-1206-R**

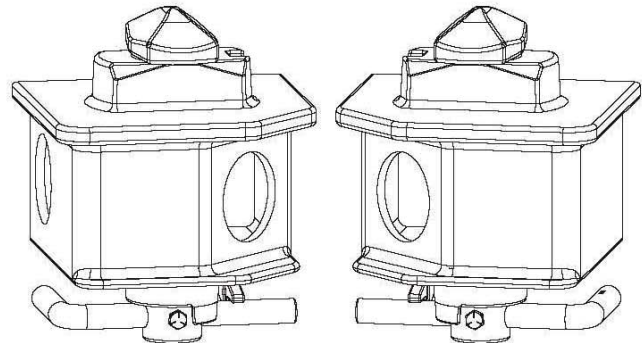
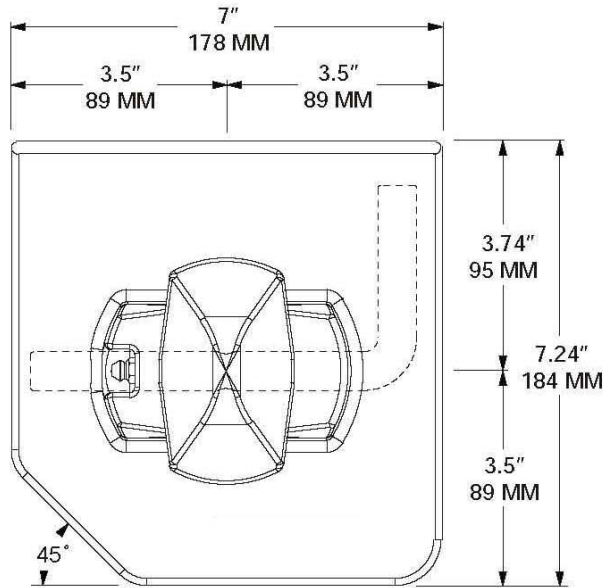




## TWISTLOCKS WITH LIGHT HOLES NON-RETRACTABLE

**MODEL 1101-1207-L**

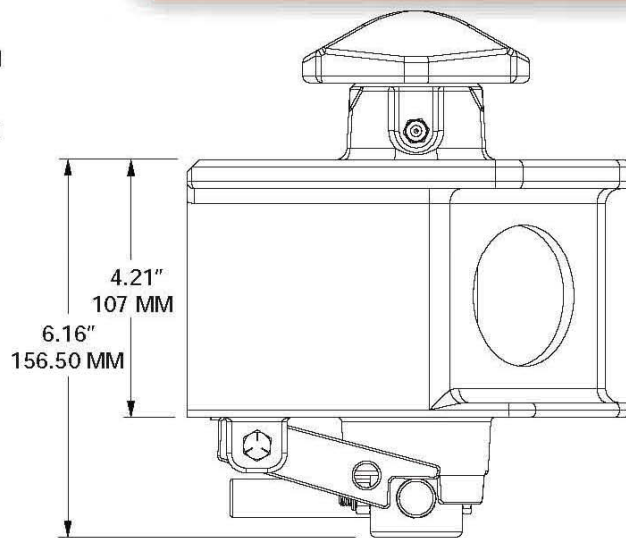
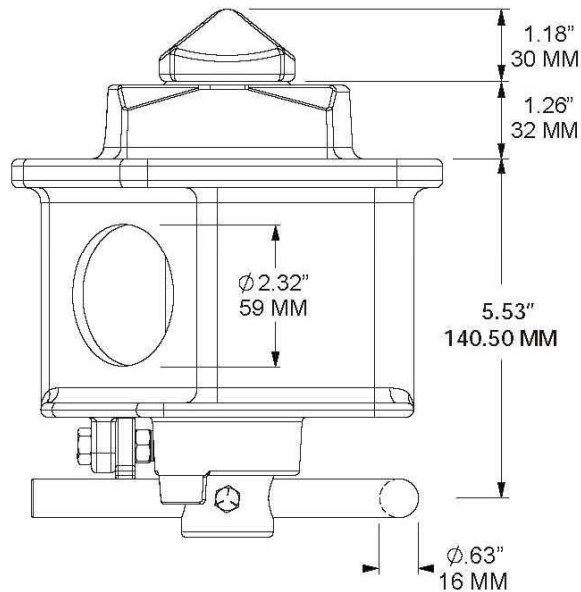
**MODEL 1101-1207-R**



(LEFT LOCKING)  
FOR FRONT CURBSIDE  
OR REAR ROADSIDE  
WITH ABS HOLE

(RIGHT LOCKING)  
FOR FRONT ROADSIDE  
OR REAR CURBSIDE

- CAST STEEL HOUSING AND FORGED STEEL PIN
- EASY TO OPERATE GRAVITY LATCH
- MEETS AAR SPECIFICATIONS FOR RAIL USE
- ANGLED CORNER FOR SIDE AND REAR LIGHT VISIBILITY
- EXTRA 59 MM DIA. HOLE IN MODEL 1109-1207-1L HOUSING FOR ABS LIGHT



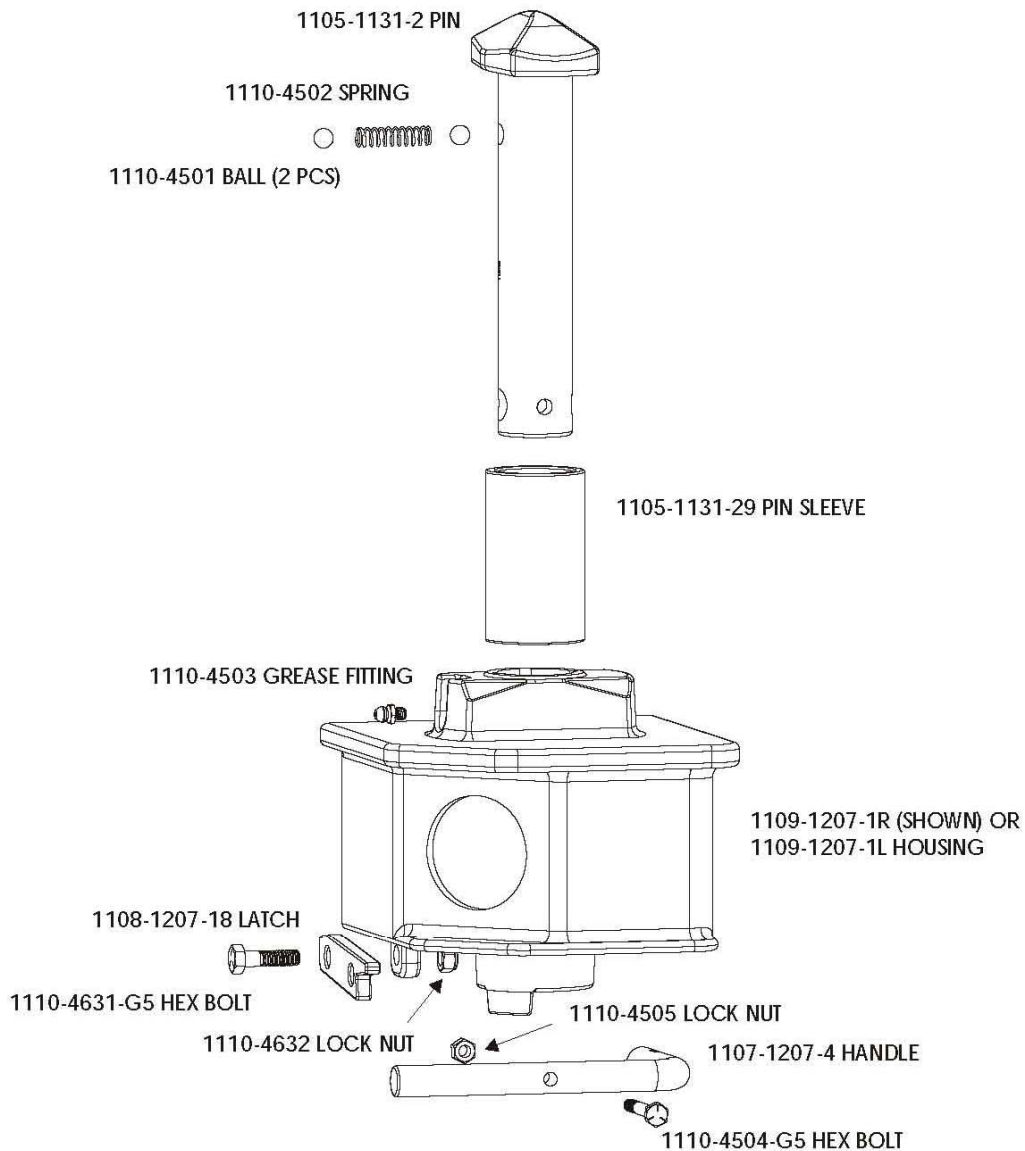
WEIGHT: 22.8 LBS / 9.9 KGS  
FINISH: WELDABLE PRIMER



# TWISTLOCKS WITH LIGHT HOLES NON-RETRACTABLE

**MODEL 1101-1207-L**

**MODEL 1101-1207-R**



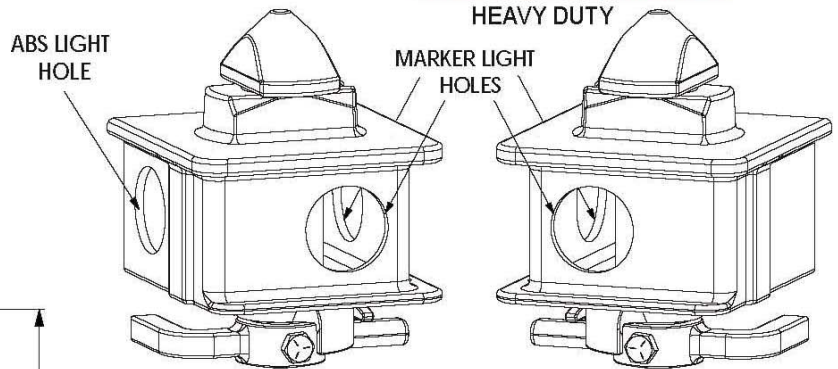
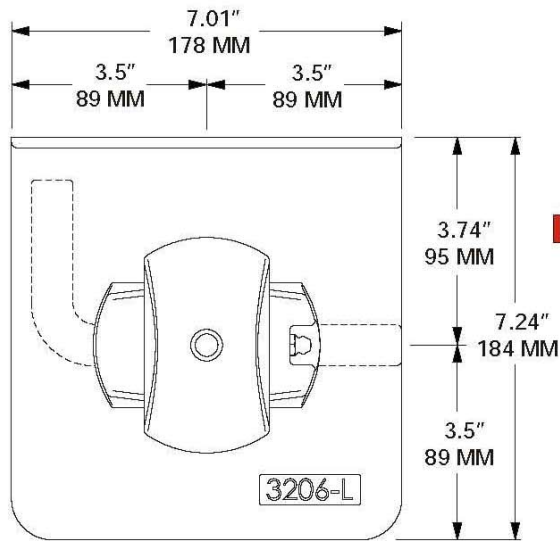


## TWISTLOCKS WITH LIGHT HOLES NON-RETRACTABLE

**MODEL 1101-3206-ABS-L**

**MODEL 1101-3206-L**

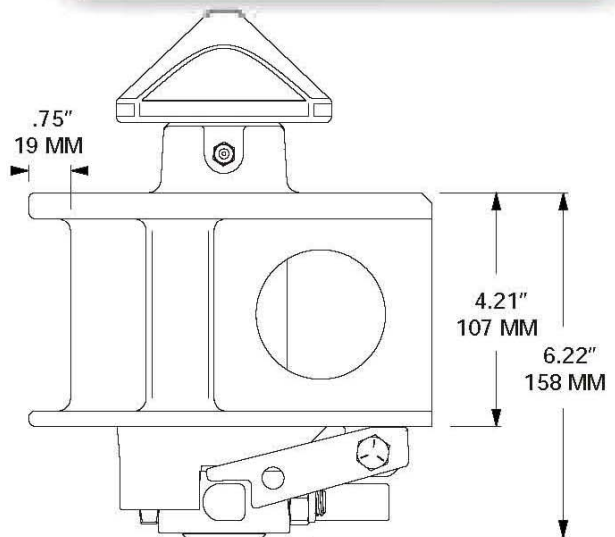
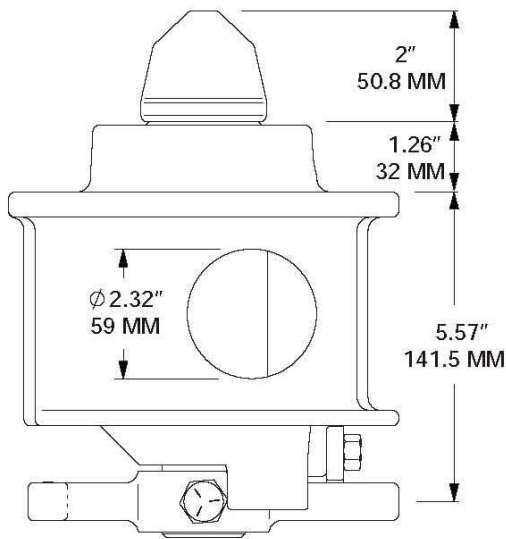
**MODEL 1101-3206-R**



**MODEL 1101-3206-ABS-L**

*\*MODEL 1101-3206-L  
DOES NOT HAVE THE  
ABS LIGHT HOLE.*

- HEAVY DUTY CAST STEEL HOUSING AND FORGED STEEL PIN
- EASY TO OPERATE GRAVITY LATCH
- MEETS AAR SPECIFICATIONS FOR RAIL USE
- UNUSED LIGHT HOLES CAN BE BLANKED OFF WITH PART NO. 1110-1209 VINYL HOLE PLUG
- LEDGES EXTENDED TO PROTECT LIGHTS



**WEIGHT: 27.05 LBS / 12.27 KGS**  
**FINISH: WELDABLE PRIMER**



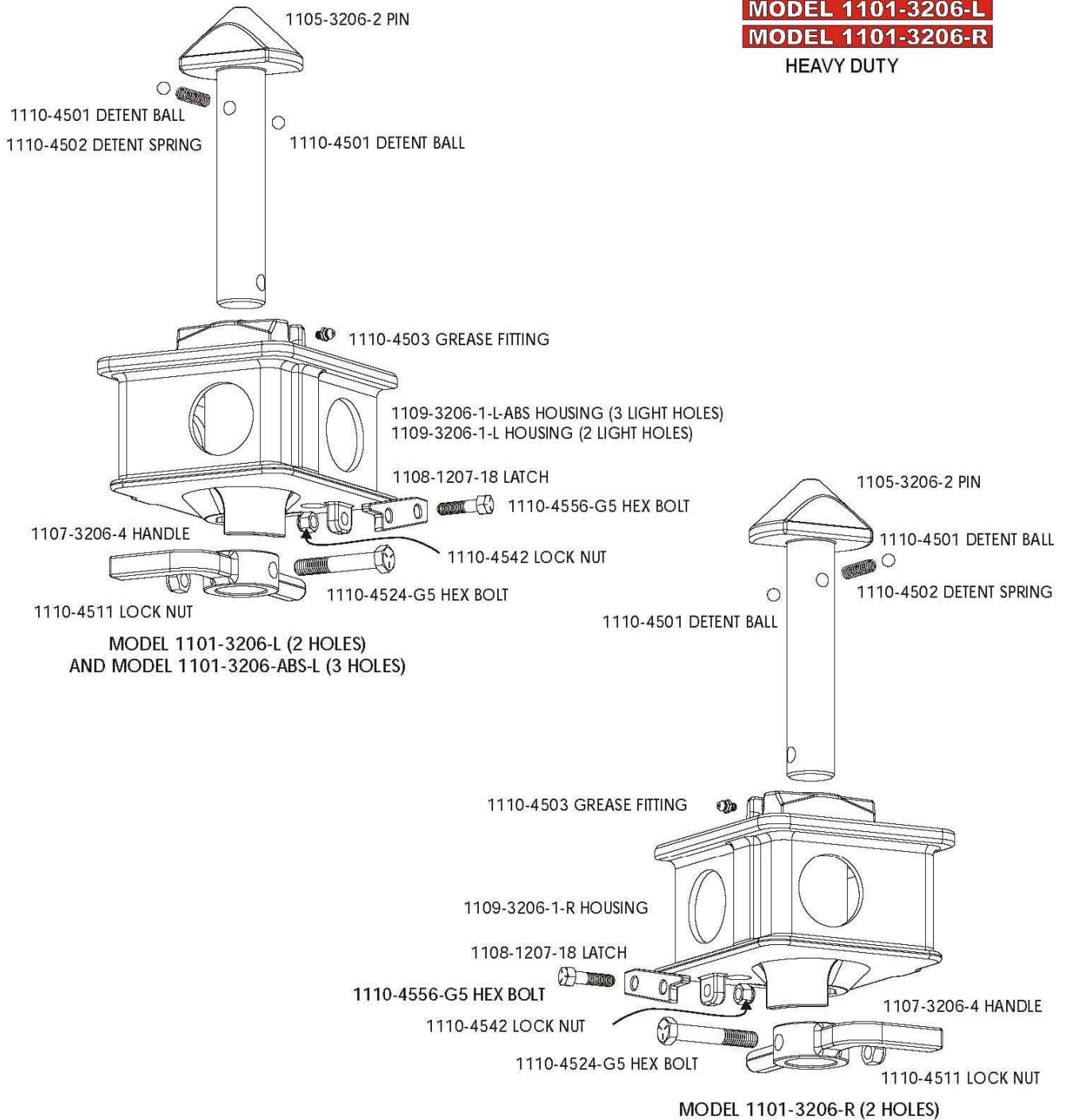
# TWISTLOCKS WITH LIGHT HOLES NON-RETRACTABLE

**MODEL 1101-3206-ABS-L**

**MODEL 1101-3206-L**

**MODEL 1101-3206-R**

**HEAVY DUTY**







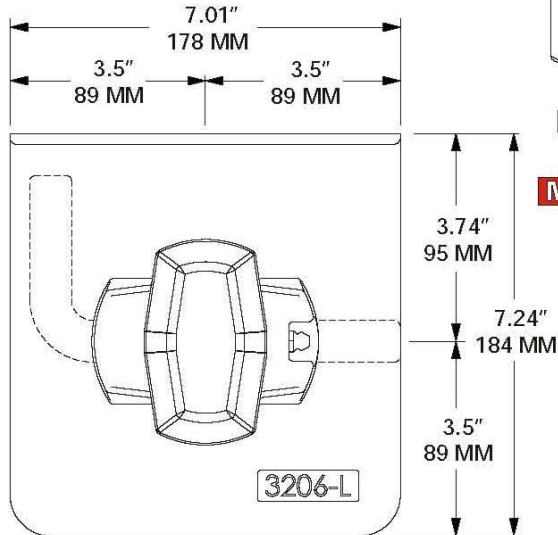
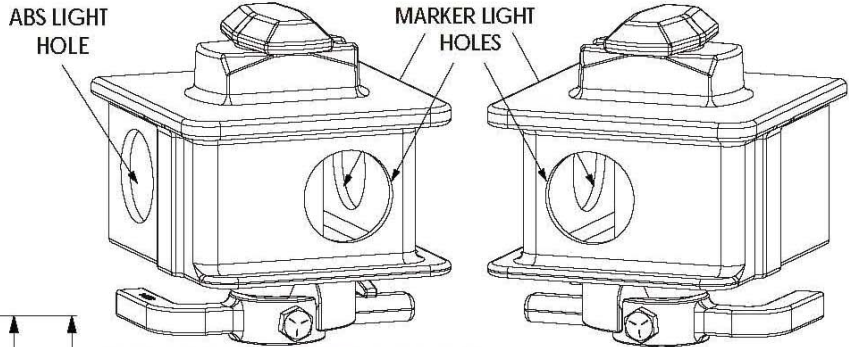
## TWISTLOCKS WITH LIGHT HOLES NON-RETRACTABLE

**MODEL 1101-3406-ABS-L**

**MODEL 1101-3406-L**

**MODEL 1101-3406-R**

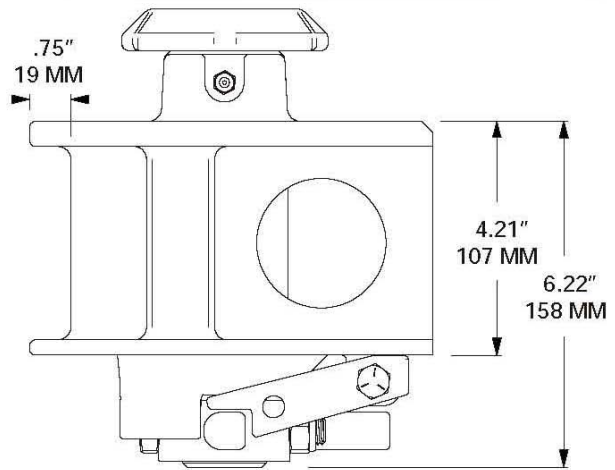
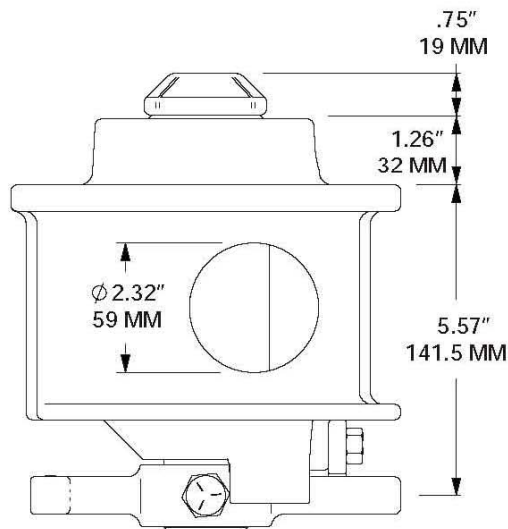
HEAVY DUTY  
FOR SHALLOW CORNER CASTINGS



**MODEL 1101-3406-ABS-L**

*\*MODEL 1101-3406-L  
DOES NOT HAVE THE  
ABS LIGHT HOLE.*

- HEAVY DUTY CAST STEEL HOUSING AND FORGED STEEL PIN
- EASY TO OPERATE GRAVITY LATCH
- MEETS AAR SPECIFICATIONS FOR RAIL USE
- UNUSED LIGHT HOLES CAN BE BLANKED OFF WITH PART NO. 1110-1209 VINYL HOLE PLUG
- LEDGES EXTENDED TO PROTECT LIGHTS
- FITS MOST SHALLOW CORNER CASTINGS



WEIGHT: 27.05 LBS / 12.27 KGS  
FINISH: WELDABLE PRIMER



# TWISTLOCKS WITH LIGHT HOLES NON-RETRACTABLE

**MODEL 1101-3406-ABS-L**

**MODEL 1101-3406-L**

**MODEL 1101-3406-R**

**HEAVY DUTY  
FOR SHALLOW CORNER CASTINGS**

