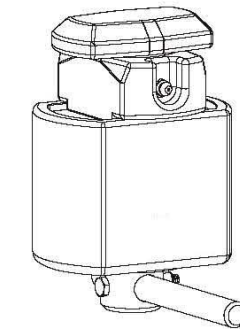
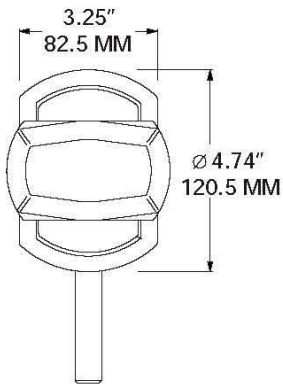


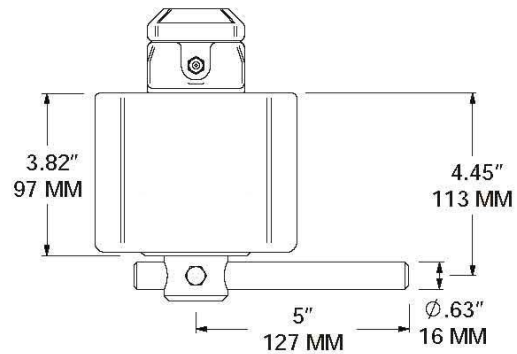
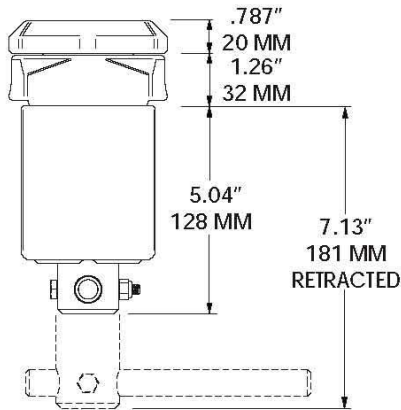


TWISTLOCKS FLATBED TYPE RETRACTABLE

MODEL 1101-1132



WEIGHT: 13.5 LBS / 6.12 KGS
FINISH: WELDABLE PRIMER



- HOUSE DESIGN SUITABLE FOR FLATBEDS
- LEFT OR RIGHT LOCKING EASILY CHANGED WITH PATENTED HANDLE POSITIONER
- CAST STEEL HOUSING AND FORGED STEEL PIN
- MEETS AAR SPECIFICATIONS FOR RAIL USE WITH OPTIONAL GRAVITY LATCH ADDED
- DISTINCT INDEXING OF LOCKED AND UNLOCKED POSITIONS

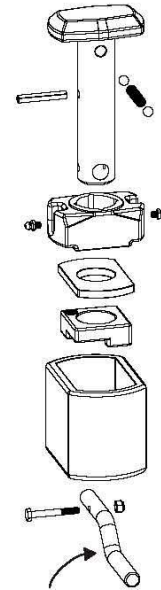
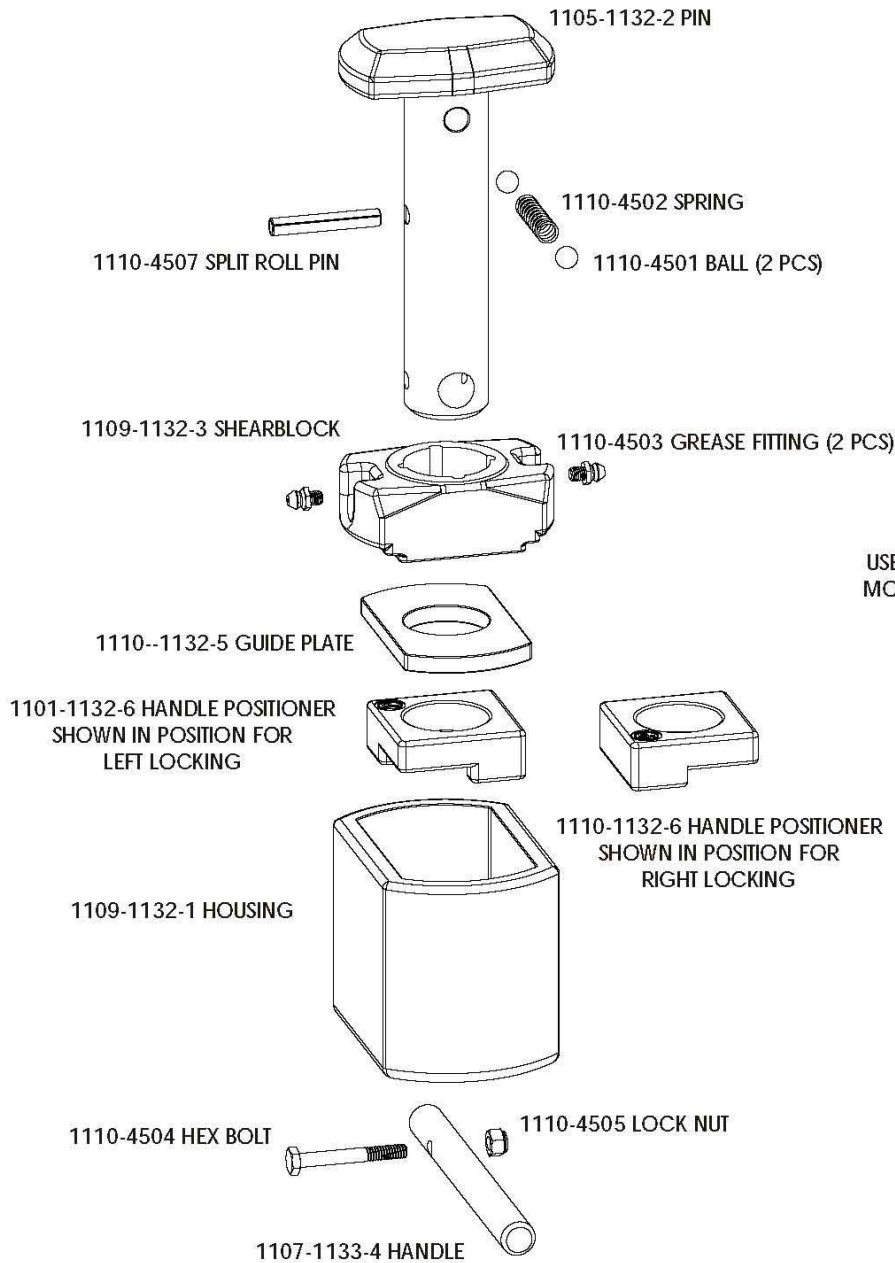
ALSO AVAILABLE:

MODEL 1101-1132-OS28	MODEL 1101-1132-OS70
<p>WITH 28MM (1 1/8") EXTENDED HANDLE WEIGHT: 13.55 LBS / 6.15 KGS</p>	<p>WITH 70MM (2 3/4") EXTENDED HANDLE WEIGHT: 13.8 LBS / 6.26 KGS</p>

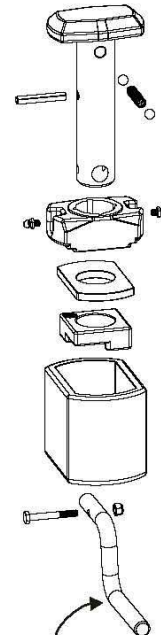


TWISTLOCKS FLATBED TYPE RETRACTABLE

MODEL 1101-1132



USE 1107-1132-4-OS28 HANDLE ON
MODEL 1101-1132-OS28 TWISTLOCK
ALL OTHER PARTS THE SAME

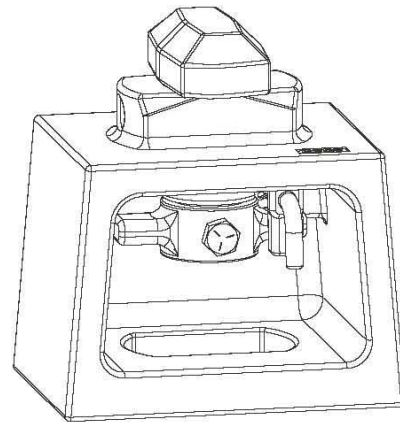
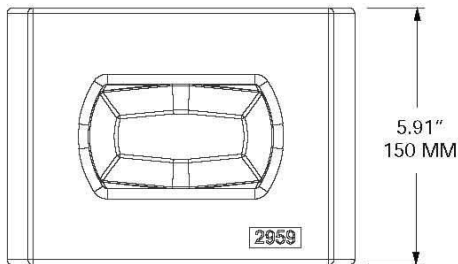


USE 1107-1132-4-OS70 HANDLE ON
MODEL 1101-1132-OS70 TWISTLOCK
ALL OTHER PARTS THE SAME

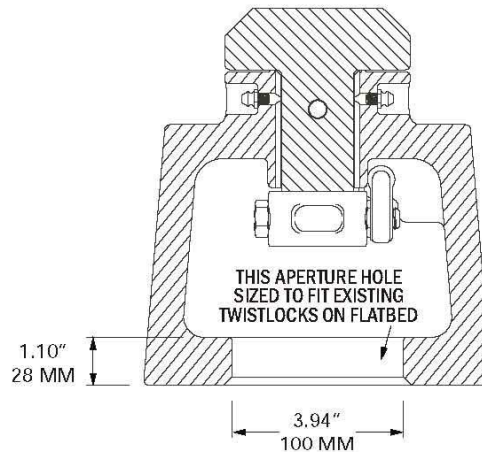
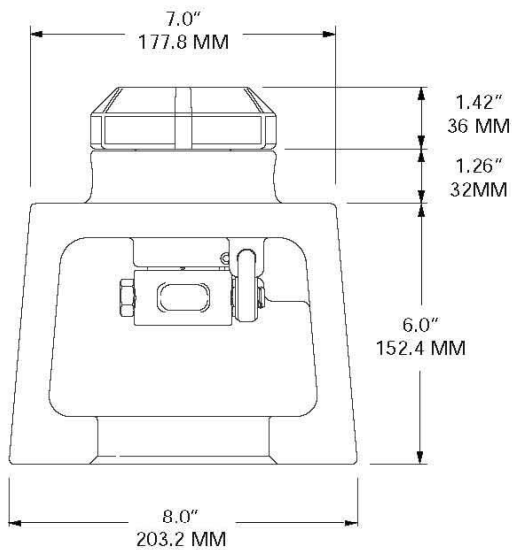


TWISTLOCKS FLATBED TYPE HEIGHT EXTENDER

MODEL 1101-2959



SHOWN IN LOCKED POSITION.
GRAVITY LATCH KEEPS HANDLE IN LOCKED POSITION



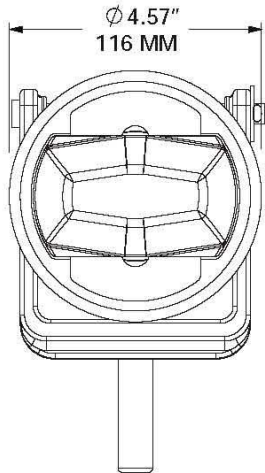
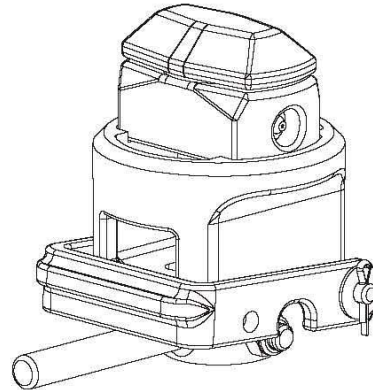
- IMPROVES THE CARGO CARRYING CAPABILITY FOR DOUBLE DROP DECK TRAILERS
- DESIGNED TO BRIDGE THE 6" DIFFERENCE IN DECK HEIGHT FROM THE MAIN DROP LEVEL TO THE LEVEL OVER THE REAR AXLES
- PORTABLE FOR EASY STORAGE AND TRANSPORT
- HEAVY DUTY AND GALVANIZED

WEIGHT: 45.3LBS / 20.55Kg
FINISH: HOT DIPPED GALVANIZED

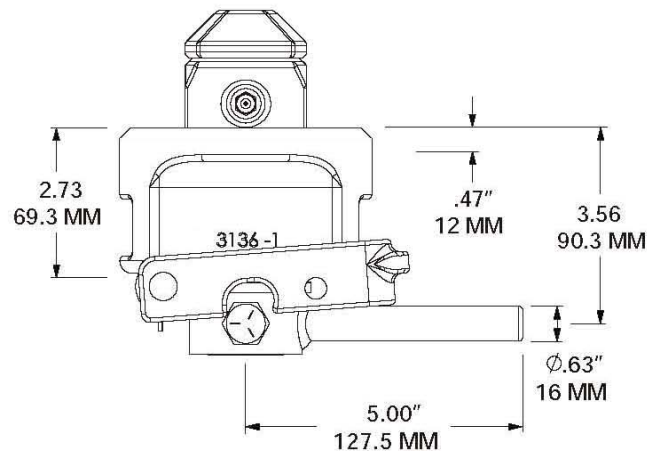
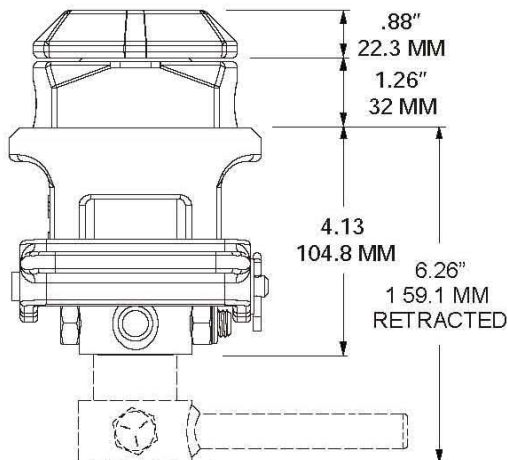


**TWISTLOCKS
FLATBED TYPE
RETRACTABLE
SHORT RETRACTED LENGTH**

MODEL 1101-3136



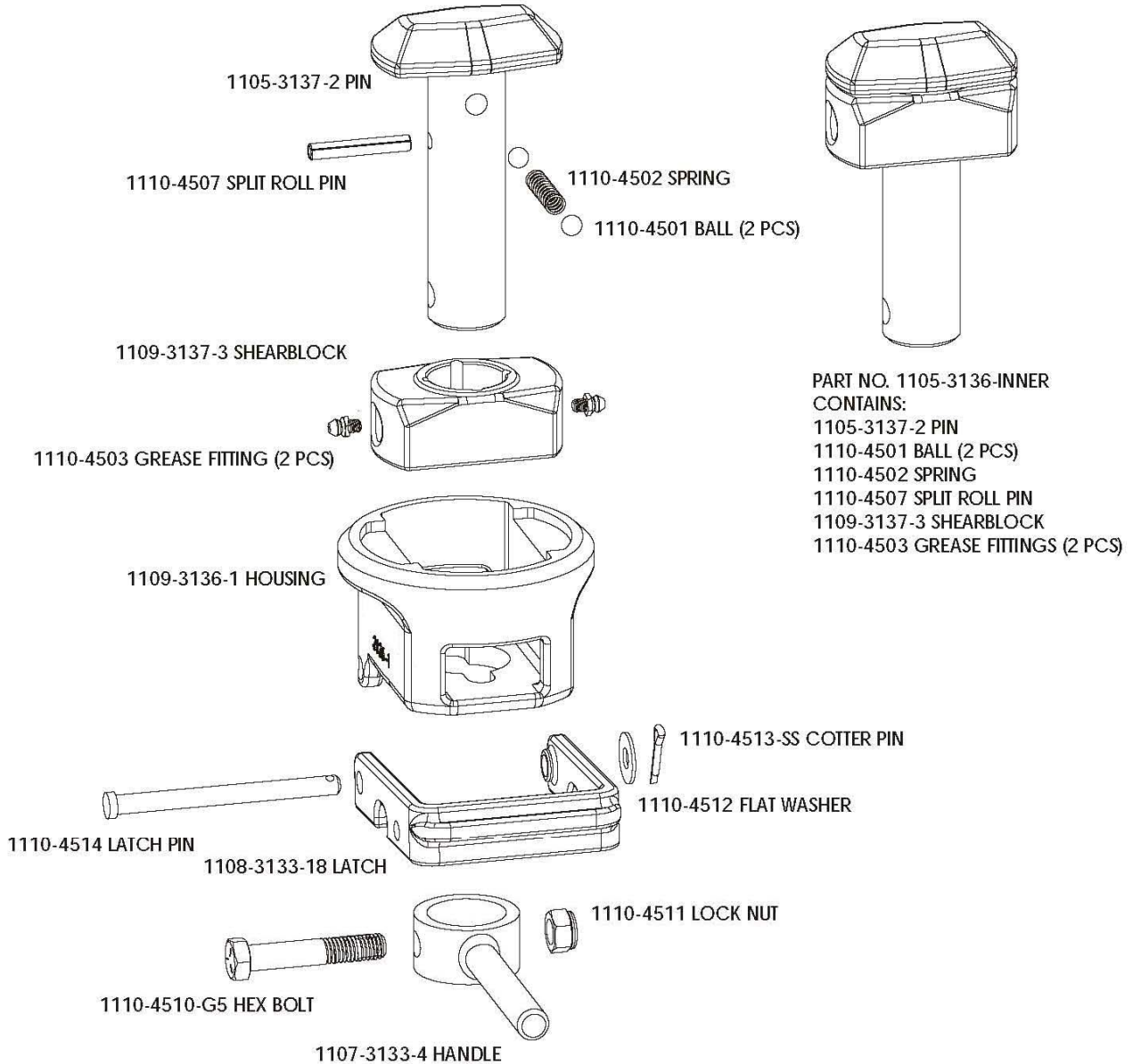
- NON-HANDED DESIGN, LOCKS TO EITHER LEFT OR RIGHT
- CAST STEEL HOUSING AND FORGED STEEL PIN
- MEETS AAR SPECIFICATIONS FOR RAIL USE
- ONLY 6.26" BELOW DECK IN RETRACTED POSITION FOR EXTRA TIRE CLEARANCE WHERE NEEDED
- ROUND HOUSING TOP WITH LARGE WELD CHAMFER FOR DECK TOP INSTALLATION
- DUAL GREASE FITTINGS



**WEIGHT: 12.45 LBS / 5.65 KGS
FINISH: WELDABLE PRIMER**



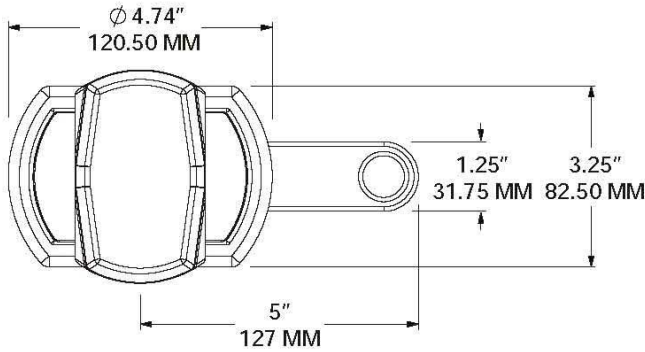
**TWISTLOCKS
FLATBED TYPE
RETRACTABLE
SHORT RETRACTED LENGTH
MODEL 1101-3136**



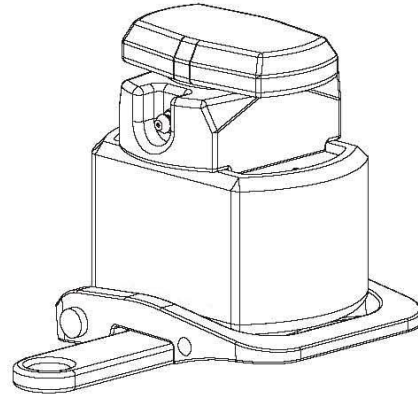


**TWISTLOCKS
FLATBED TYPE
RETRACTABLE
SHORT RETRACTED LENGTH**

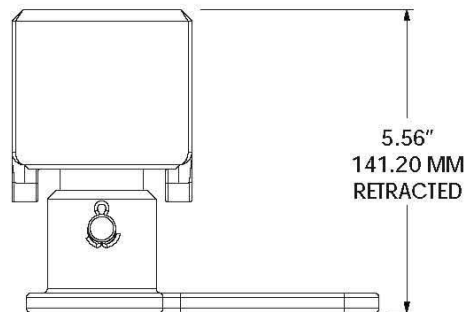
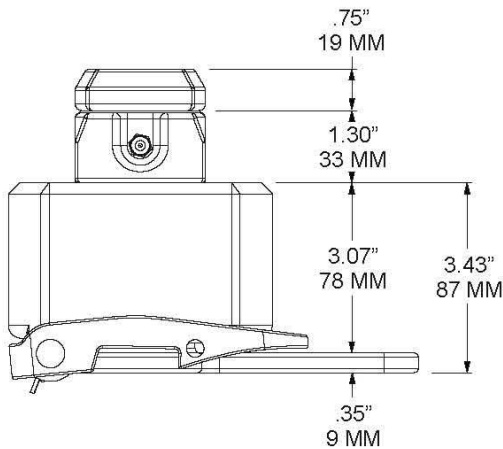
MODEL 1101-3152



THIS VIEW SHOWN WITHOUT LATCH FOR CLARITY



- HOUSE DESIGN SUITABLE FOR FLATBEDS
- HANDLE LOCKS TO BOTH LEFT AND RIGHT
- CAST STEEL HOUSING AND FORGED STEEL PIN
- MEETS AAR SPECIFICATIONS FOR RAIL USE
- ONLY 5.56" BELOW DECK IN RETRACTED POSITION FOR CLEARANCE WHERE NEEDED
- DISTINCT INDEXING OF LOCKED AND UNLOCKED POSITIONS

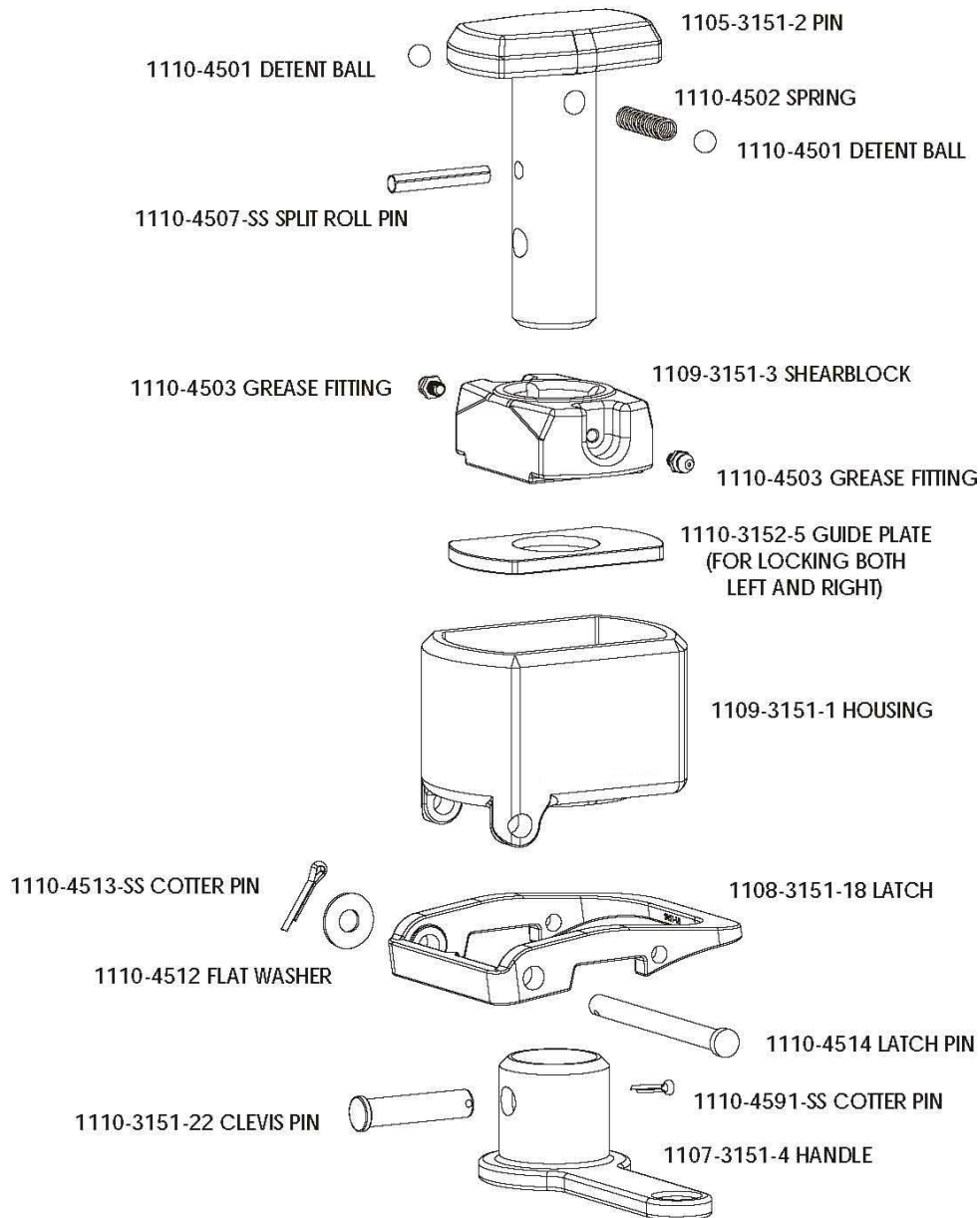


THIS VIEW SHOWN WITHOUT LATCH FOR CLARITY

WEIGHT: 12.9 LBS / 5.85 KGS
FINISH: WELDABLE PRIMER



**TWISTLOCKS
FLATBED TYPE
RETRACTABLE
SHORT RETRACTED LENGTH
MODEL 1101-3152**

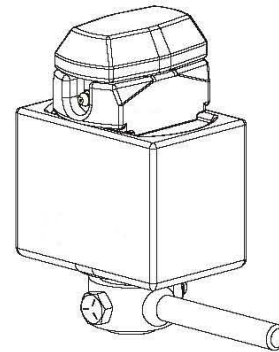
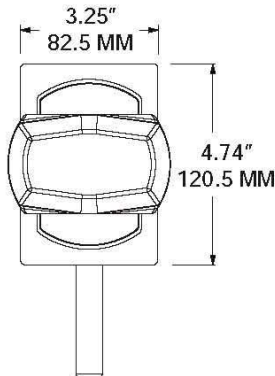


1101-3152 TWISTLOCK LOCKS RIGHT AND LEFT.

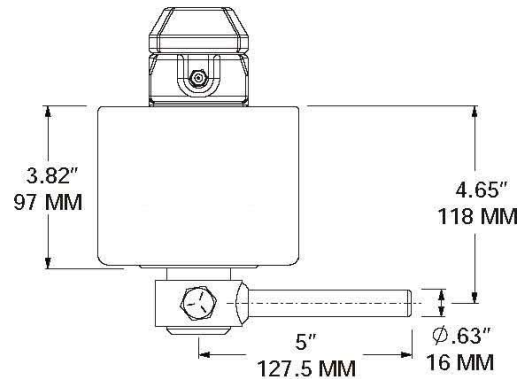
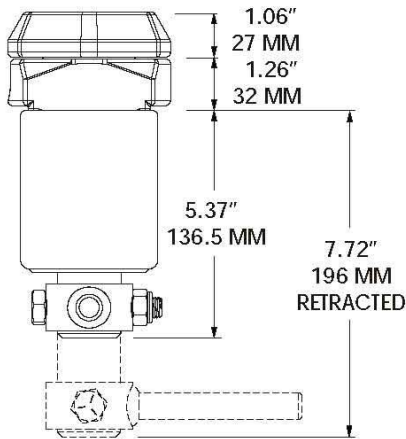


TWISTLOCKS FLATBED TYPE RETRACTABLE

MODEL 1101-3532



WEIGHT: 16.2 LBS / 7.35 KGS
FINISH: WELDABLE PRIMER



ALSO AVAILABLE:

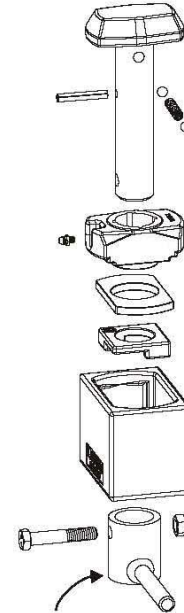
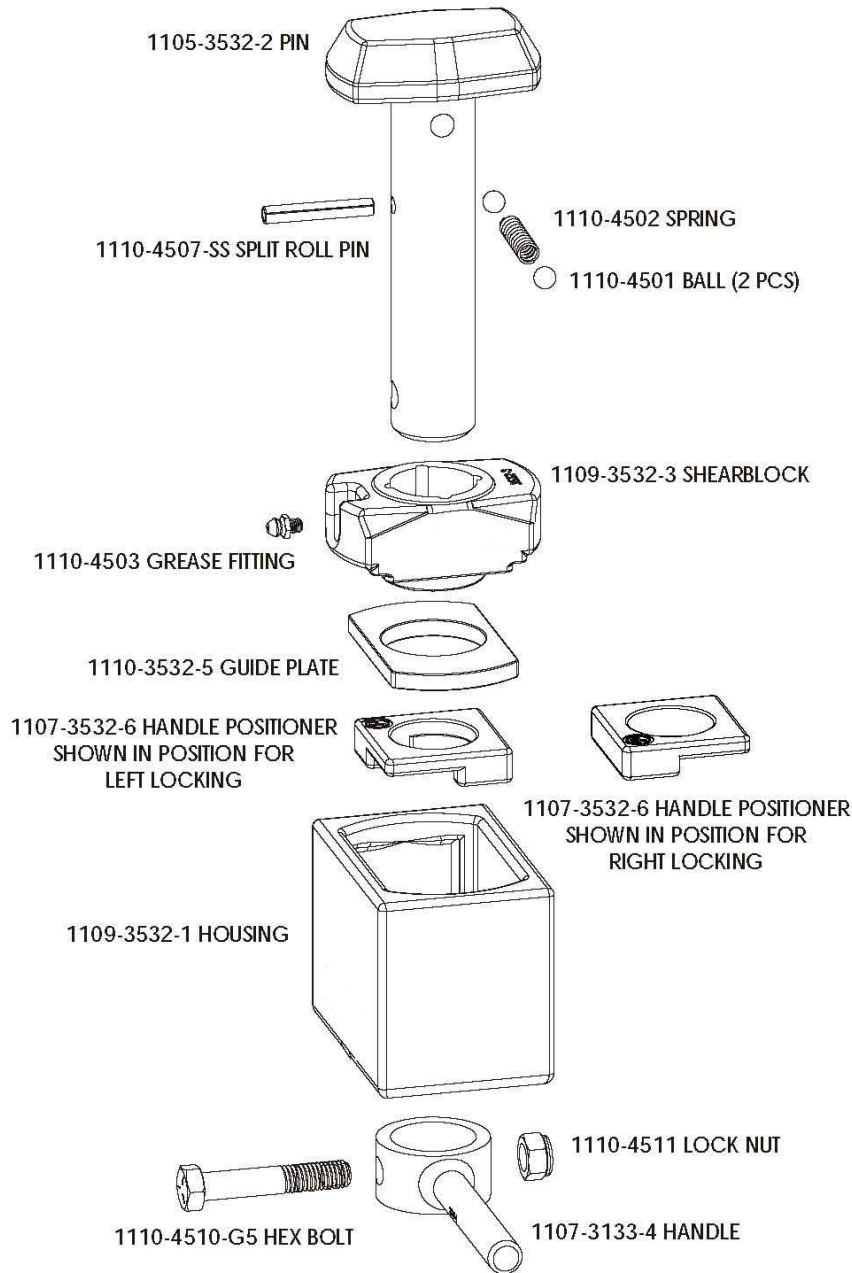
- HOUSE DESIGN SUITABLE FOR FLATBEDS
- LEFT OR RIGHT LOCKING EASILY CHANGED WITH PATENTED HANDLE POSITIONER
- CAST STEEL HOUSING AND FORGED STEEL PIN
- MEETS AAR SPECIFICATIONS FOR RAIL USE WITH OPTIONAL GRAVITY LATCH ADDED
- DISTINCT INDEXING OF LOCKED AND UNLOCKED POSITIONS

MODEL 1101-3532-OS35	MODEL 1101-3532-OS70
<p>WITH 35MM (1 3/8") EXTENDED HANDLE WEIGHT: 16.8 LBS / 7.62 KGS FINISH: WELDABLE PRIMER</p>	<p>WITH 70MM (2 3/4") EXTENDED HANDLE WEIGHT: 17.32 LBS / 7.86 KGS FINISH: WELDABLE PRIMER</p>

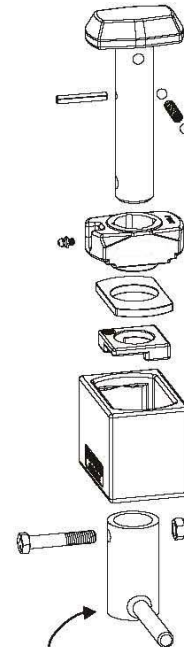


TWISTLOCKS FLATBED TYPE RETRACTABLE

MODEL 1101-3532



USE 1107-3133-4-OS35 HANDLE ON
MODEL 1101-3532-OS35 TWISTLOCK
ALL OTHER PARTS THE SAME



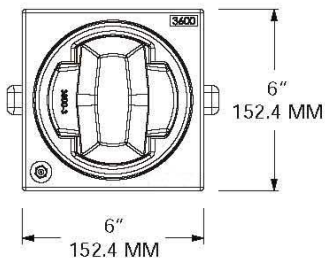
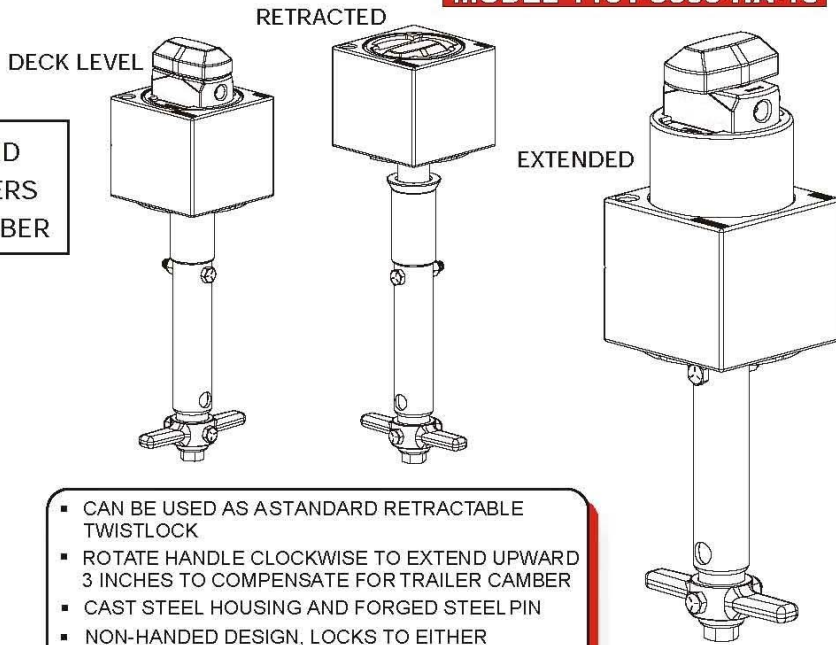
USE 1107-3133-4-OS70 HANDLE ON
MODEL 1101-3532-OS70 TWISTLOCK
ALL OTHER PARTS THE SAME



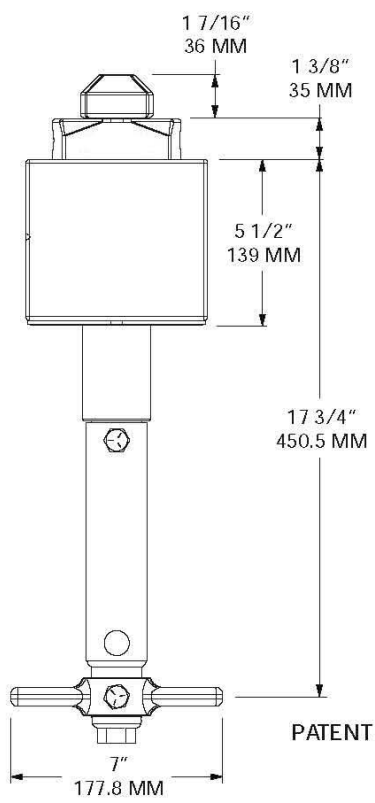
**TWISTLOCKS
FLATBED TYPE
HEIGHT ADJUSTABLE
RETRACTABLE**

MODEL 1101-3600-HA-10

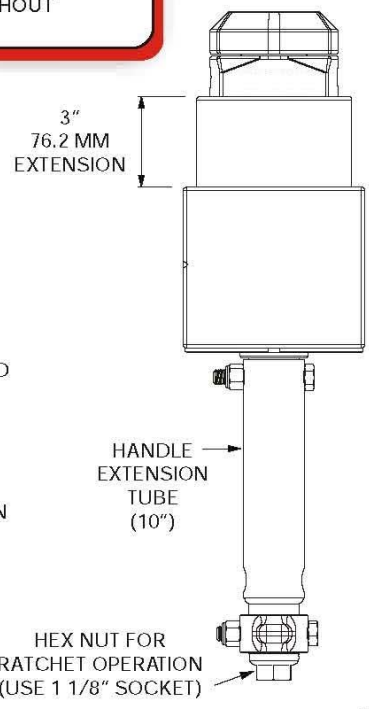
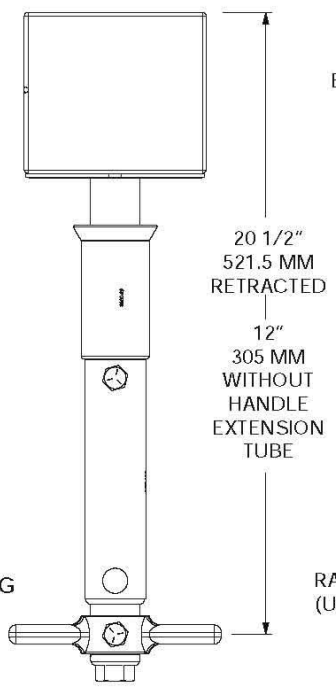
IMPROVES LOADING AND
SECURING OF CONTAINERS
ON FLATBEDS WITH CAMBER



- CAN BE USED AS A STANDARD RETRACTABLE TWISTLOCK
- ROTATE HANDLE CLOCKWISE TO EXTEND UPWARD 3 INCHES TO COMPENSATE FOR TRAILER CAMBER
- CAST STEEL HOUSING AND FORGED STEEL PIN
- NON-HANDED DESIGN, LOCKS TO EITHER LEFT OR RIGHT
- 3 GREASE FITTINGS TO EASE OPERATION
- MODEL 1101-3600-HA AVAILABLE WITHOUT HANDLE EXTENSION TUBE



PATENT PENDING



HEX NUT FOR RATCHET OPERATION (USE 1 1/8" SOCKET)

WEIGHT: 48 LBS / 21.8 Kg
FINISH: WELDABLE PRIMER