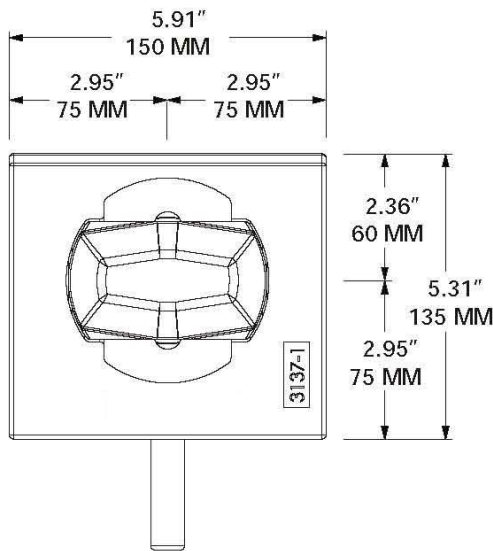
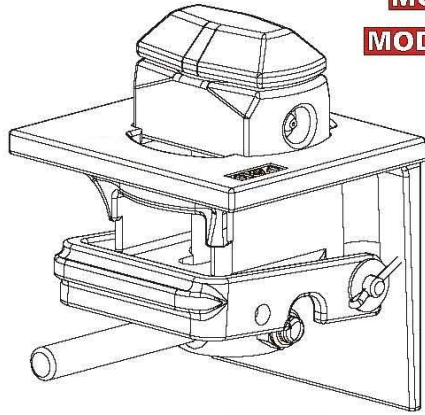




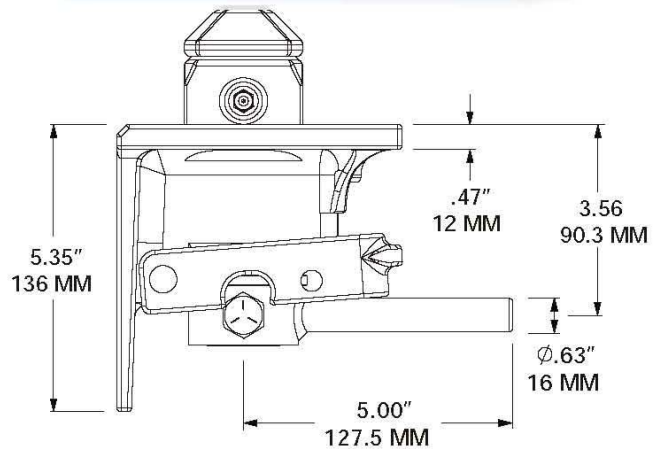
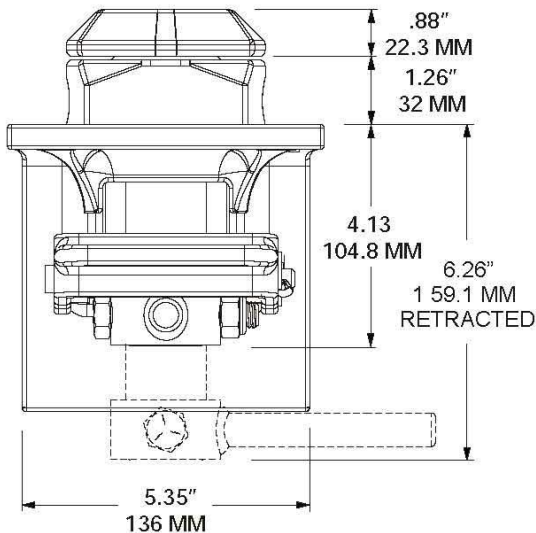
**TWISTLOCKS
STANDARD TYPE
RETRACTABLE & NON-RETRACTABLE
SHORT RETRACTED LENGTH**

MODEL 1101-3137-R

MODEL 1101-3137-NR



- NON-HANDED DESIGN, LOCKS TO EITHER LEFT OR RIGHT
- AVAILABLE AS RETRACTABLE MODEL 1101-3137-R OR NON-RETRACTABLE MODEL 1101-3137-NR
- CAST STEEL HOUSING AND FORGED STEEL PIN
- MEETS AAR SPECIFICATIONS FOR RAIL USE
- EASY CONVERSION FROM RETRACTABLE TO NON-RETRACTABLE WITH 1110-4515 BUSHING
- ONLY 6.26" BELOW DECK IN RETRACTED POSITION FOR EXTRA TIRE CLEARANCE WHERE NEEDED
- OVERSIZE BACKPLATE FOR LARGER BOLSTER
- DUAL GREASE FITTINGS



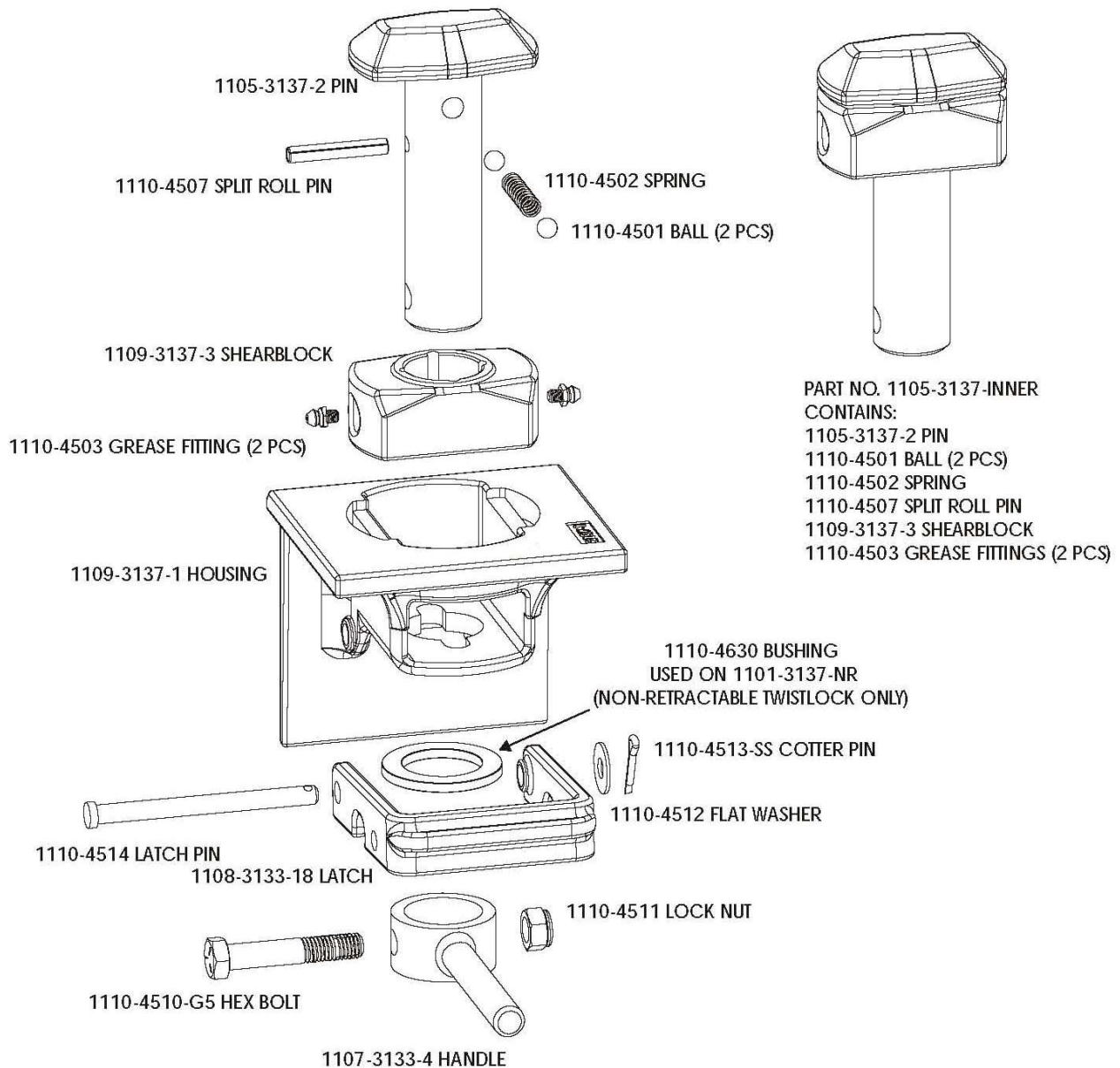
**WEIGHT: 16.1 LBS / 7.3 KGS
FINISH: WELDABLE PRIMER**



**TWISTLOCKS
STANDARD TYPE
RETRACTABLE & NON -RETRACTABLE
SHORT RETRACTED LENGTH**

MODEL 1101-3137-R

MODEL 1101-3137-NR

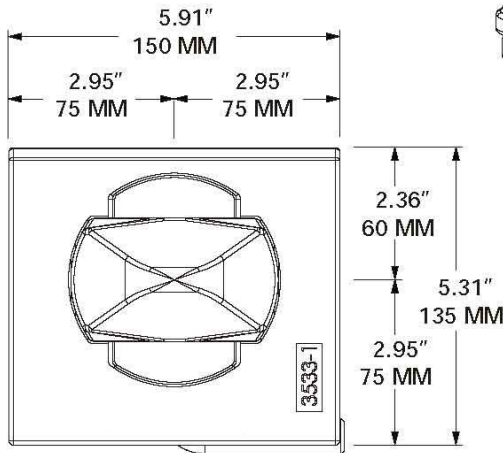
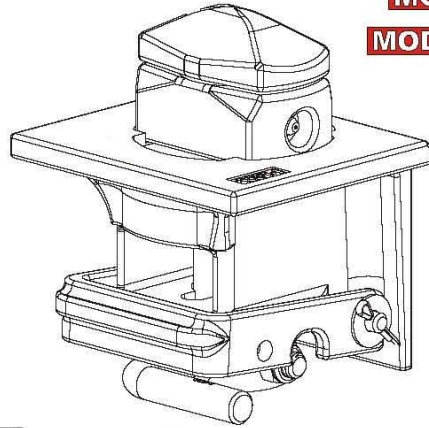




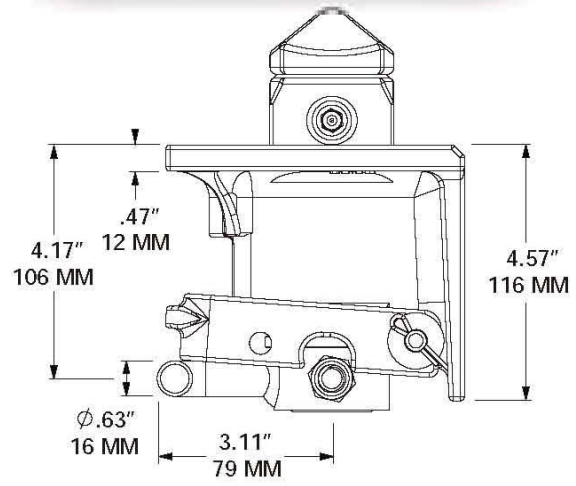
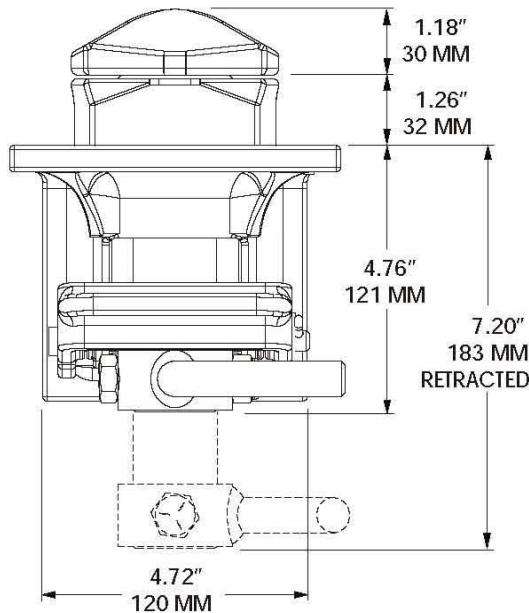
TWISTLOCKS STANDARD TYPE RETRACTABLE & NON-RETRACTABLE

MODEL 1101-3523-R

MODEL 1101-3523-NR



- NONHANDED DESIGN, LOCKS TO EITHER LEFT OR RIGHT
- AVAILABLE AS RETRACTABLE MODEL 1101-3423 R OR NON-RETRACTABLE MODEL 1101-3423 NR
- CAST STEEL HOUSING AND FORGED STEEL PIN
- NON-HANDED GRAVITY LATCH
- MEETS AAR SPECIFICATIONS FOR RAIL USE
- HIDEAWAY L-SHAPED HANDLE
- EASY CONVERSION FROM RETRACTABLE TO NON-RETRACTABLE WITH 1110-4630 BUSHING
- DUAL GREASE FITTINGS



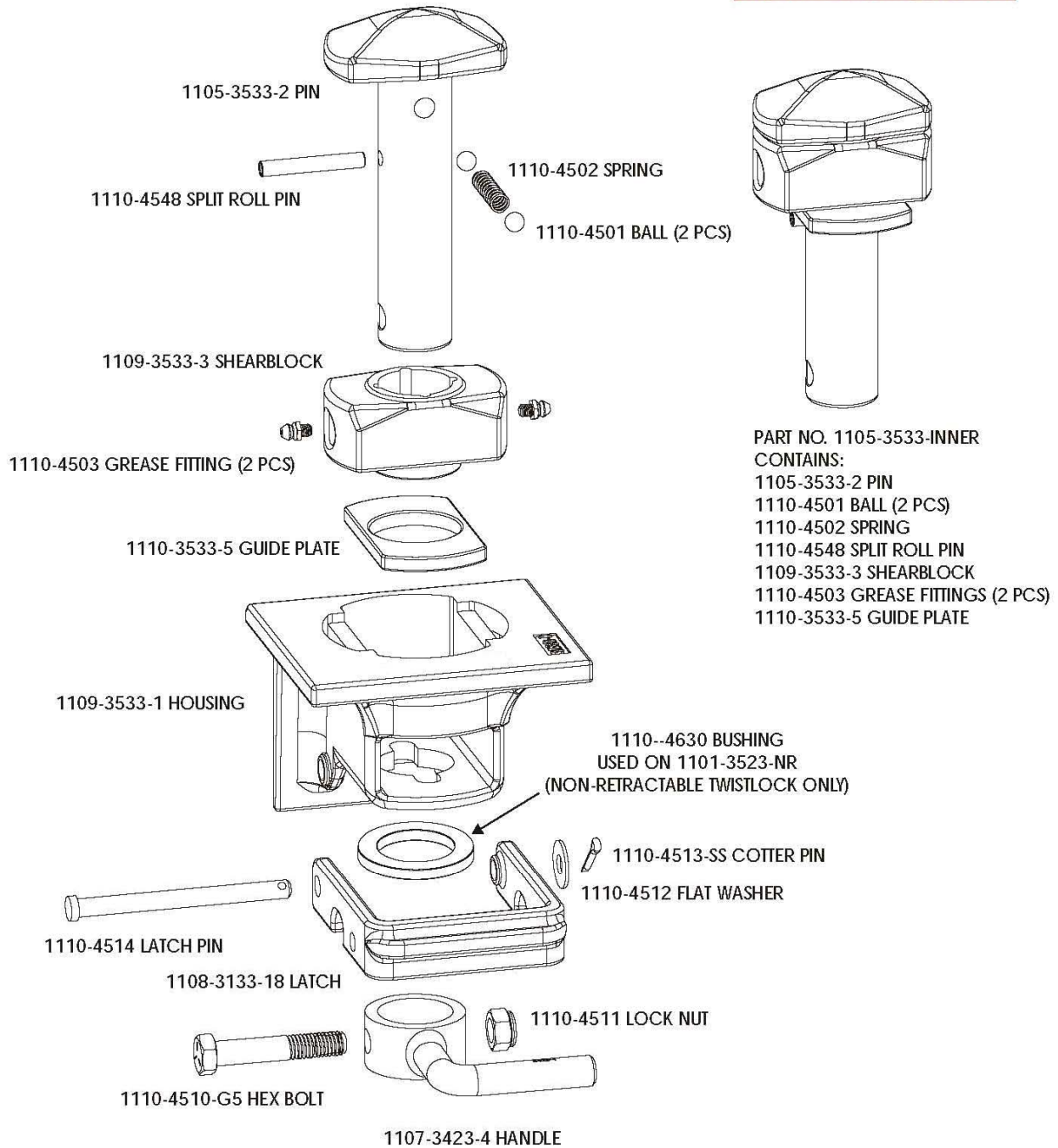
WEIGHT: 17.8 LBS / 8.06 KGS
FINISH: WELDABLE PRIMER



TWISTLOCKS STANDARD TYPE RETRACTABLE & NON-RETRACTABLE

MODEL 1101-3523-R

MODEL 1101-3523-NR

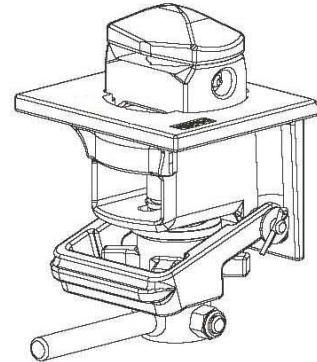
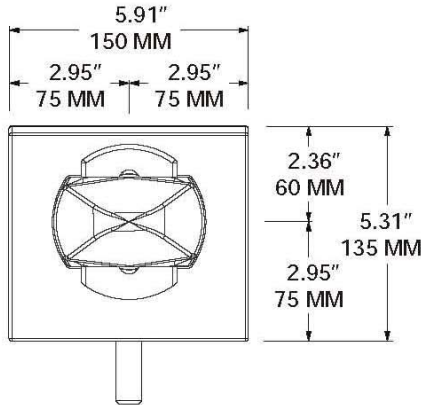




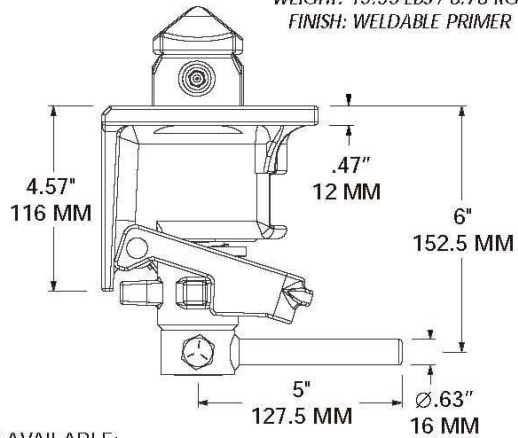
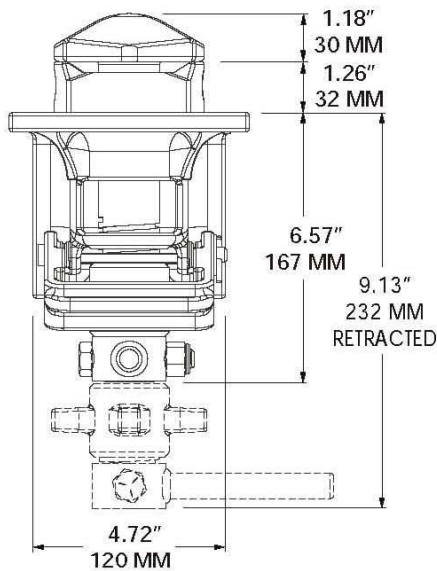
TWISTLOCKS STANDARD TYPE RETRACTABLE & NON-RETRACTABLE SCREWDOWN

MODEL 1101-3529-RS

MODEL 1101-3529-NRS



WEIGHT: 19.35 LBS / 8.78 KGS
FINISH: WELDABLE PRIMER



ALSO AVAILABLE:

MODEL 1101-3529-RS-OS70	MODEL 1101-3529-RS-OS127
MODEL 1101-3529-NRS-OS70	MODEL 1101-3529-NRS-OS127

SHOWN WITHOUT LATCH FOR CLARITY

WITH 70MM (2 3/4") EXTENDED HANDLE
WEIGHT: 20.48 LBS / 9.29 KGS

WITH 127MM (5") EXTENDED HANDLE
WEIGHT: 21.1 LBS / 9.57 KGS

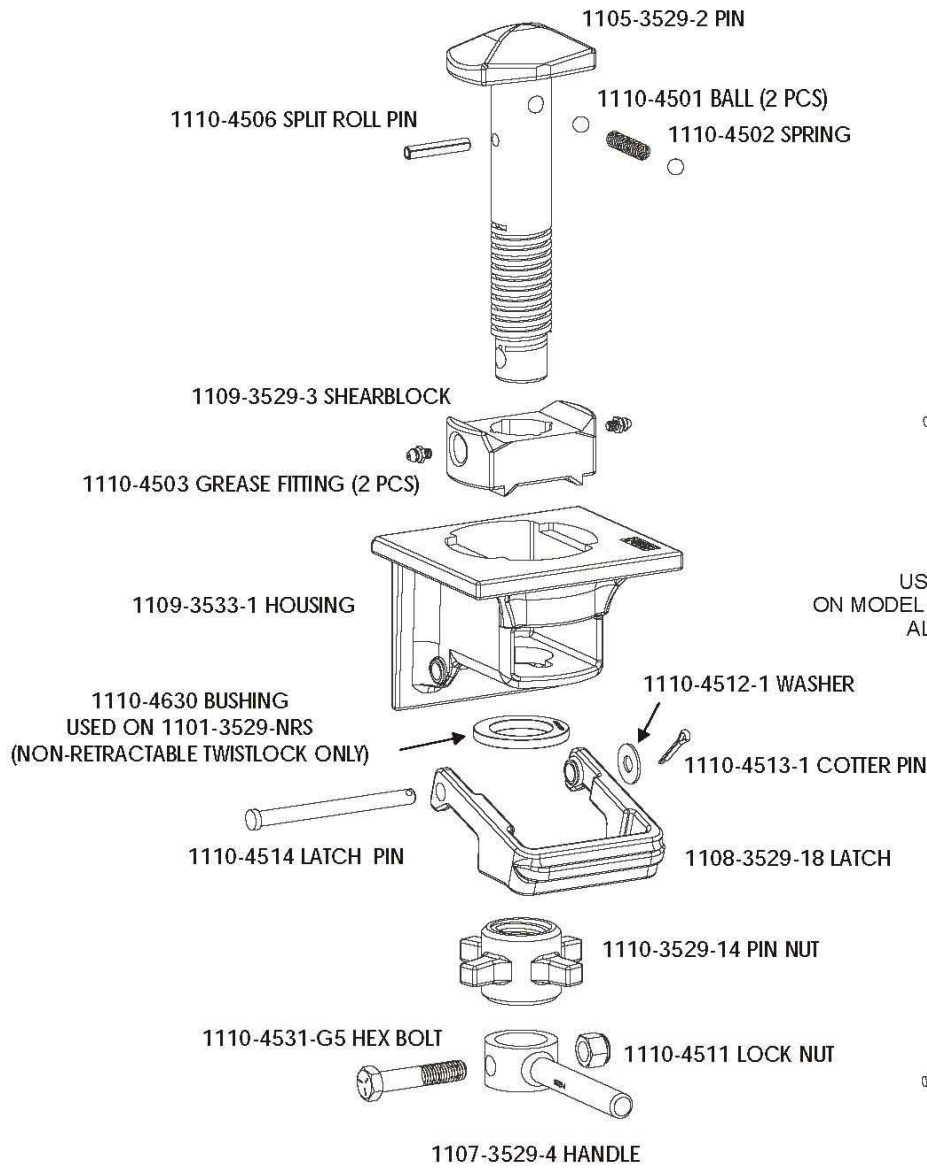
- NON-HANDED DESIGN, LOCKS TO EITHER LEFT OR RIGHT
- AVAILABLE AS RETRACTABLE MODEL 1101-3529-RS OR NON-RETRACTABLE MODEL 1101-3529-NRS
- CAST STEEL HOUSING AND FORGED STEEL PIN
- EASY CONVERSION FROM RETRACTABLE TO NON-RETRACTABLE WITH 1110-4630 BUSHING
- SCREWDOWN NUT FOR TIGHTER SECURING
- GRAVITY LATCH TO PREVENT LOOSENING
- EXTENDED HANDLES AVAILABLE



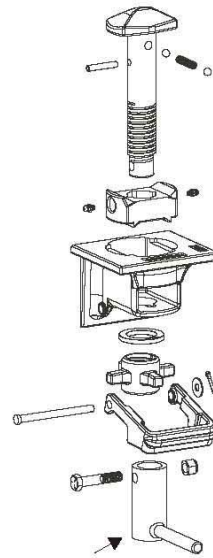
**TWISTLOCKS
STANDARD TYPE
RETRACTABLE & NON -RETRACTABLE
SCREWDOWN**

MODEL 1101-3529-RS

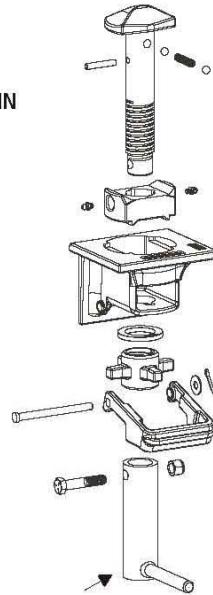
MODEL 1101-3529-NRS



MODEL 1101-3529-RS/NRSTWISTLOCK



USE 1107-3529-4-OS70 HANDLE
ON MODEL 1101-3529-RS/NRS-OS70 TWISTLOCK
ALL OTHER PARTS THE SAME



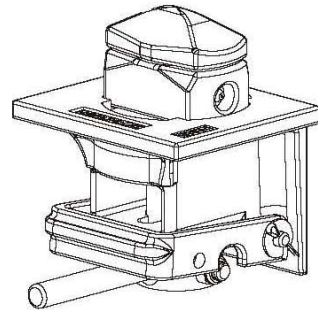
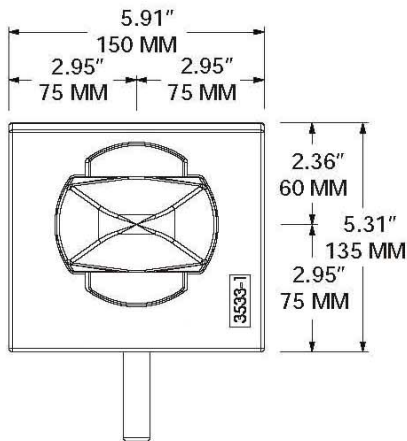
USE 1107-3529-4-OS127 HANDLE
ON MODEL 1101-3529-RS/NRS-OS127 TWISTLOCK
ALL OTHER PARTS THE SAME



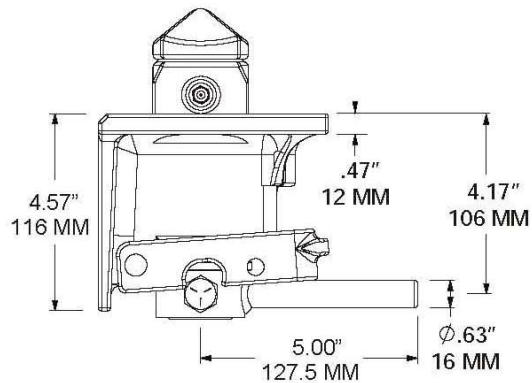
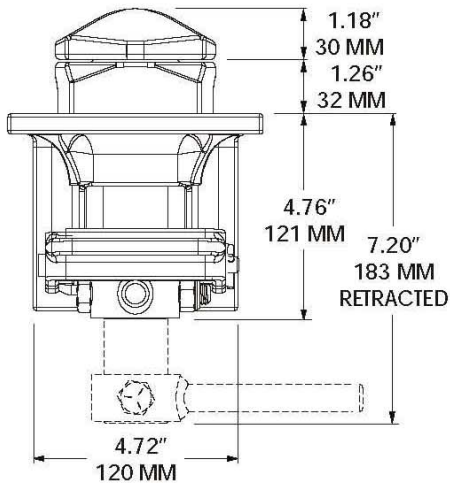
TWISTLOCKS STANDARD TYPE RETRACTABLE & NON-RETRACTABLE

MODEL 1101-3533-R

MODEL 1101-3533-NR



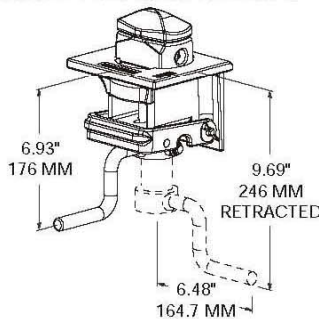
WEIGHT: 17 LBS / 7.7 KGS
FINISH: WELDABLE PRIMER



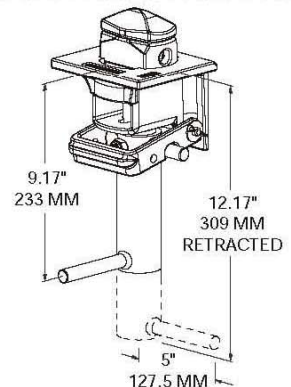
ALSO AVAILABLE:

MODEL 1101-3533-R-OS70
MODEL 1101-3533-NR-OS70

MODEL 1101-3533-R-OS127
MODEL 1101-3533-NR-OS127



WITH 70MM (2 3/4")
EXTENDED HANDLE
WEIGHT: 17.2 LBS / 7.8 KGS



WITH 127MM (5")
EXTENDED HANDLE
WEIGHT: 20 LBS / 9 KGS

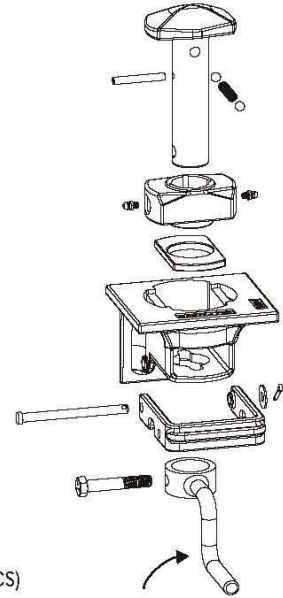
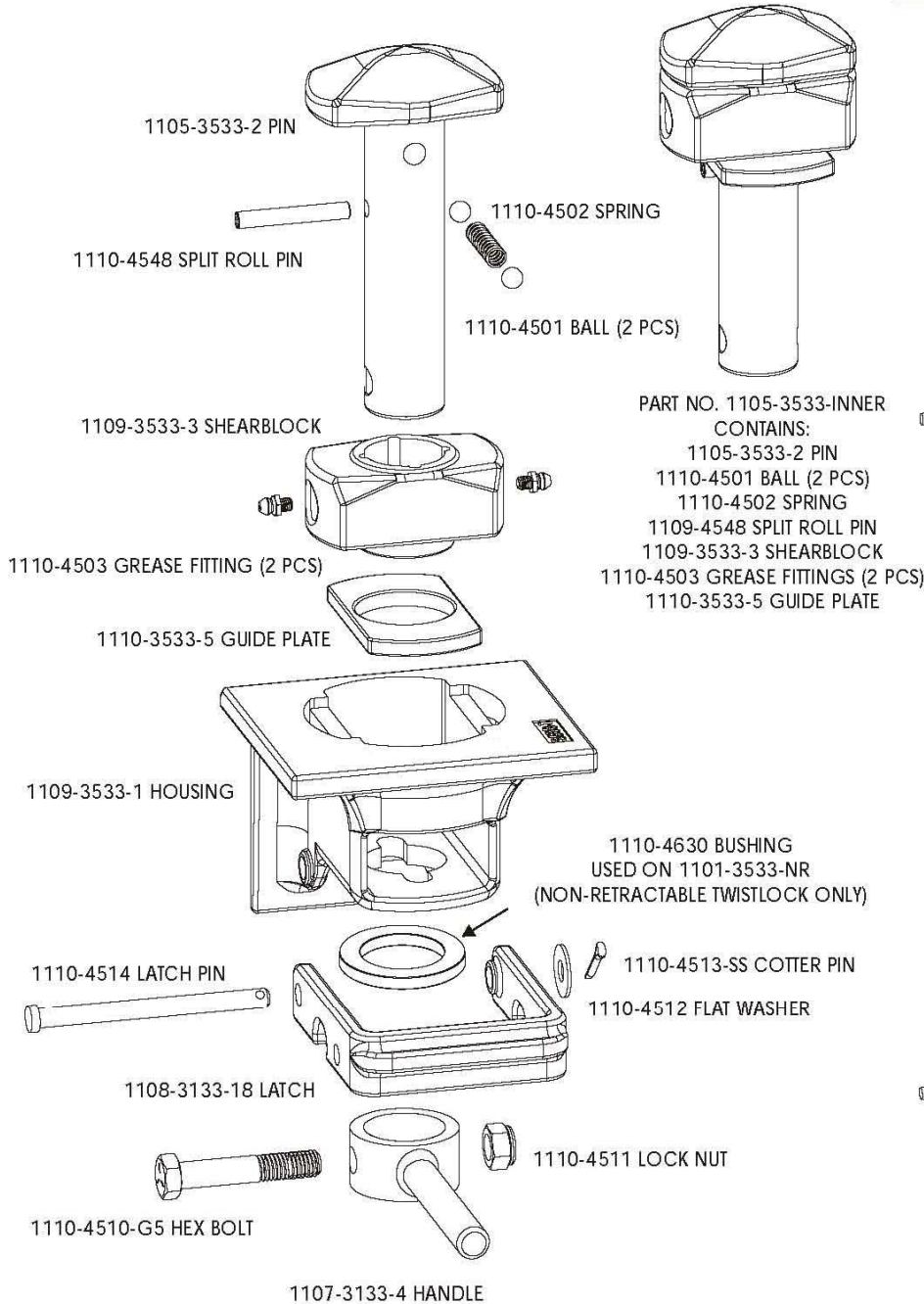
- NON-HANDED DESIGN, LOCKS TO EITHER LEFT OR RIGHT
- AVAILABLE AS RETRACTABLE MODEL 1101-3533-R OR NON-RETRACTABLE MODEL 1101-3534-NR
- CAST STEEL HOUSING AND FORGED STEEL PIN
- MEETS AAR SPECIFICATIONS FOR RAIL USE
- EASY CONVERSION FROM RETRACTABLE TO NON-RETRACTABLE WITH 1110-4630 BUSHING
- DUAL GREASE FITTINGS



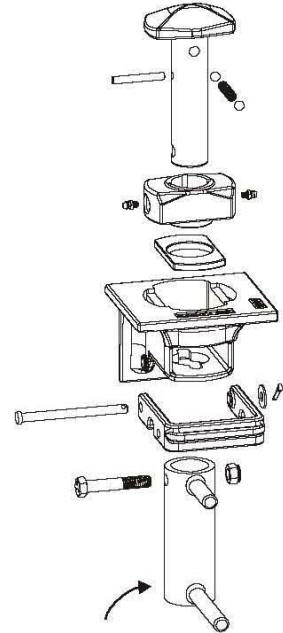
TWISTLOCKS STANDARD TYPE RETRACTABLE & NON-RETRACTABLE

MODEL 1101-3533-R

MODEL 1101-3533-NR



USE 1107-3533-4-OS70 HANDLE ON
MODEL 1101-3533-R-OS70 TWISTLOCK
ALL OTHER PARTS THE SAME

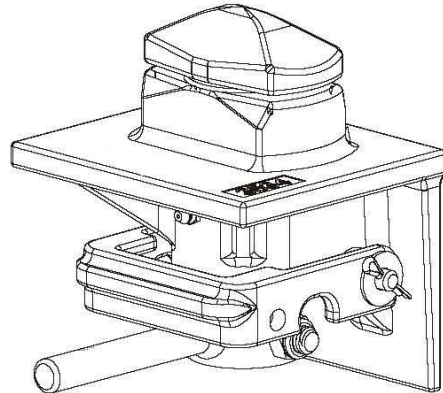
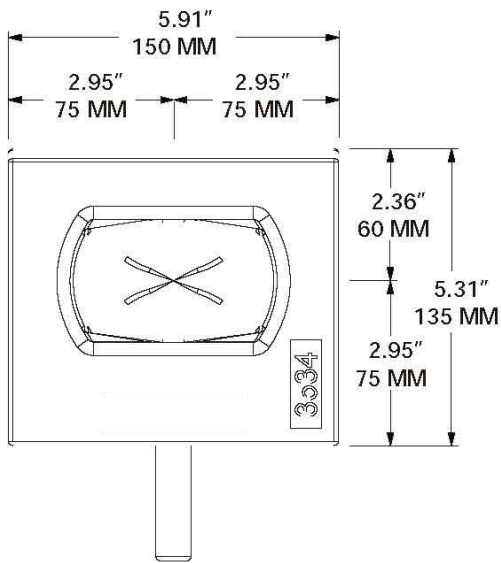


USE 1107-3533-4-OS127 HANDLE ON
MODEL 1101-3533-R-OS127 TWISTLOCK
ALL OTHER PARTS THE SAME

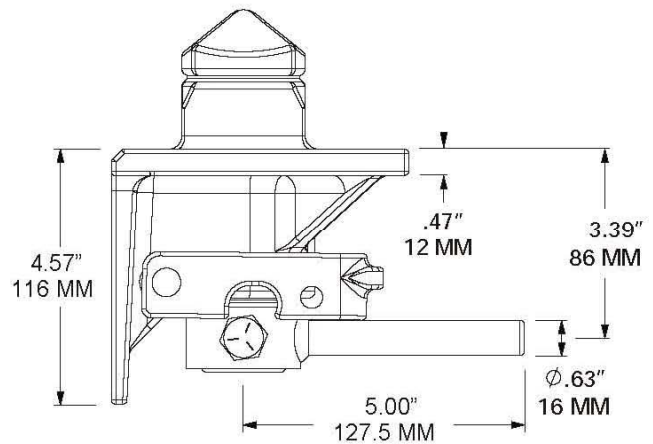
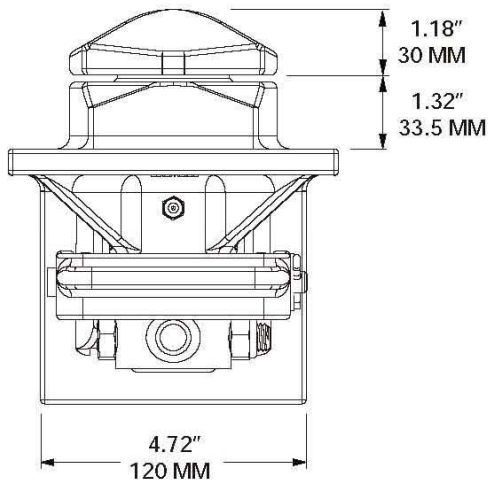


TWISTLOCKS STANDARD TYPE NON-RETRACTABLE

MODEL 1101-3534-NR



- NON-HANDED DESIGN, LOCKS TO EITHER LEFT OR RIGHT
- CAST STEEL HOUSING AND FORGED STEEL PIN
- MEETS AAR SPECIFICATIONS FOR RAIL USE
- GREASE FITTING

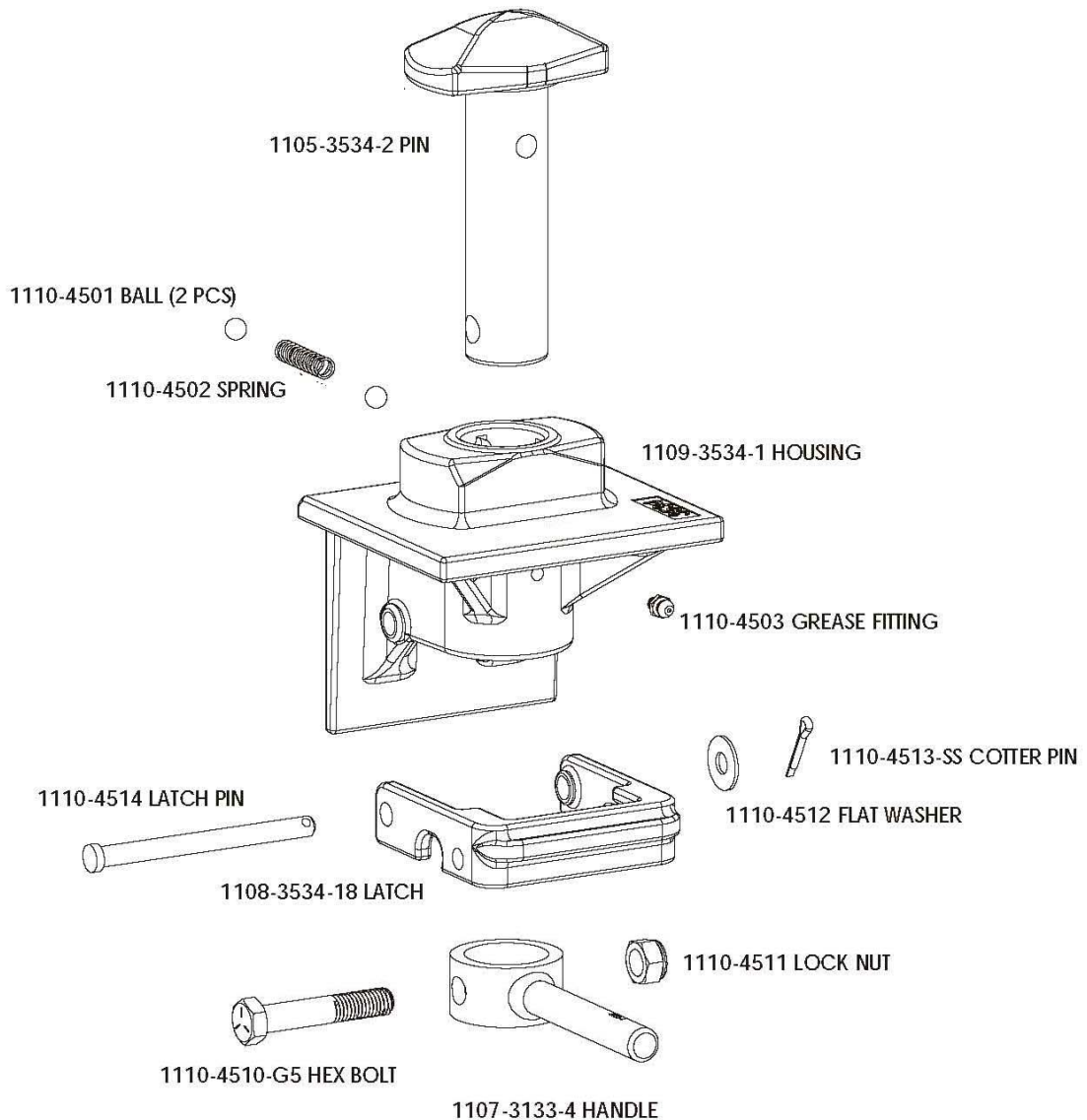


WEIGHT: 17.8 LBS / 8.1 KGS
FINISH: WELDABLE PRIMER



TWISTLOCKS STANDARD TYPE NON-RETRACTABLE

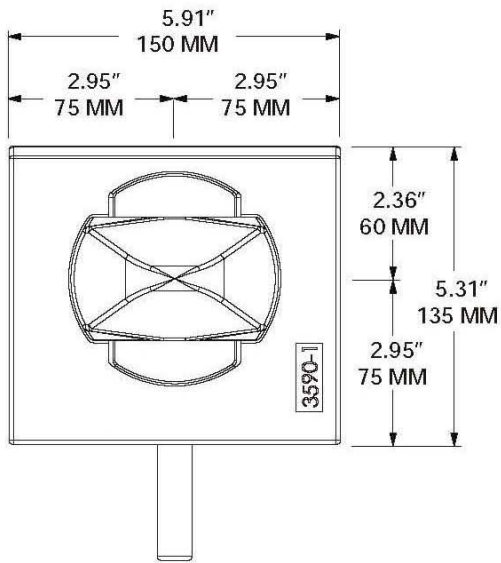
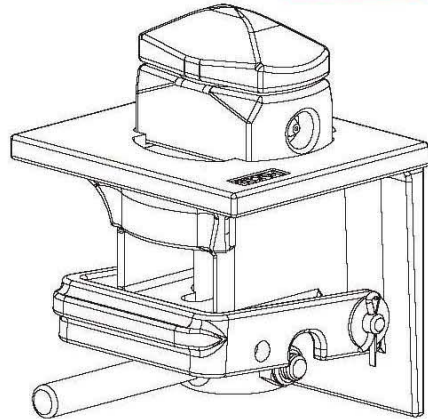
MODEL 1101-3534-NR



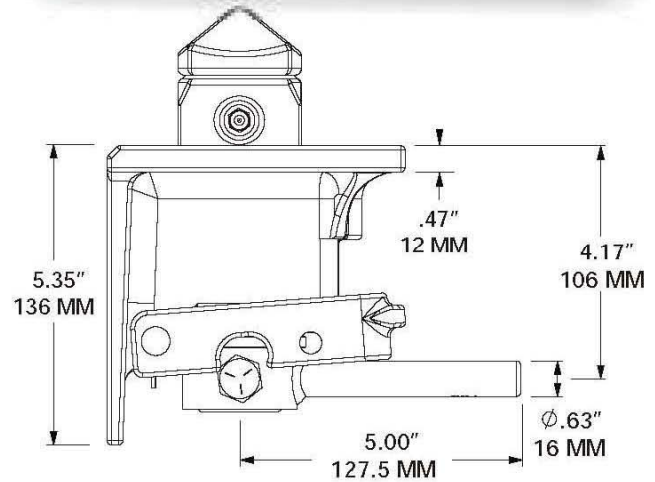
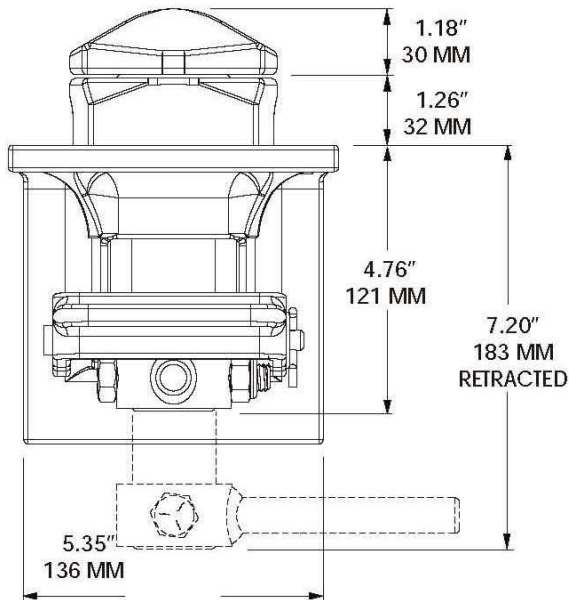


TWISTLOCKS STANDARD TYPE RETRACTABLE

MODEL 1101-3590-R



- NON-HANDED DESIGN, LOCKS TO EITHER LEFT OR RIGHT
- AVAILABLE AS RETRACTABLE MODEL 1101-3590-R OR NON-RETRACTABLE MODEL 1101-3594-NR
- CAST STEEL HOUSING AND FORGED STEEL PIN
- MEETS AAR SPECIFICATIONS FOR RAIL USE
- EASY CONVERSION FROM RETRACTABLE TO NON-RETRACTABLE WITH 1110-4630 BUSHING
- OVERSIZE BACKPLATE FOR LARGER BOLSTER
- DUAL GREASE FITTINGS

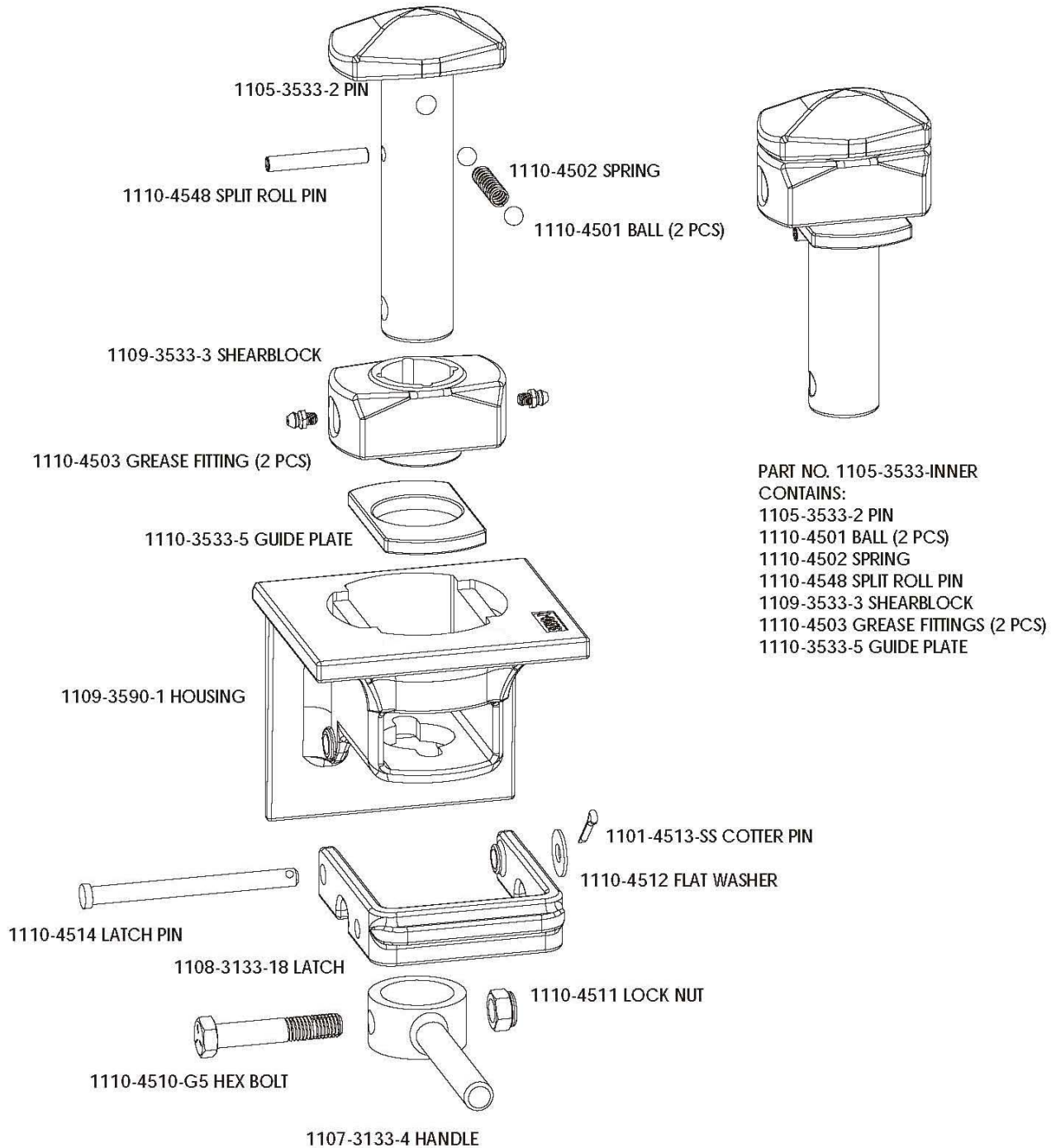


WEIGHT: 17.6 LBS / 8.00 KGS
FINISH: WELDABLE PRIMER



TWISTLOCKS STANDARD TYPE RETRACTABLE

MODEL 1101-3590-R

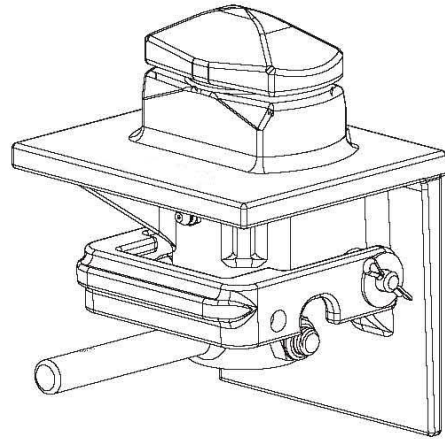
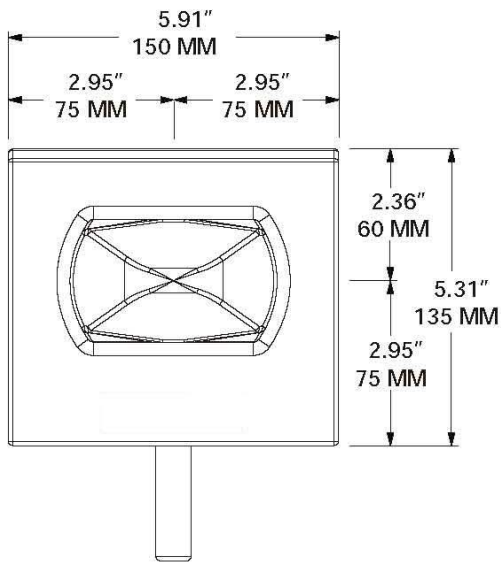


1016 Ponce de Leon Blvd, Clearwater, FL 33756.
Phone: 727-585-1500; Fax: 727-585-1316; Email: sales@chassisking.com

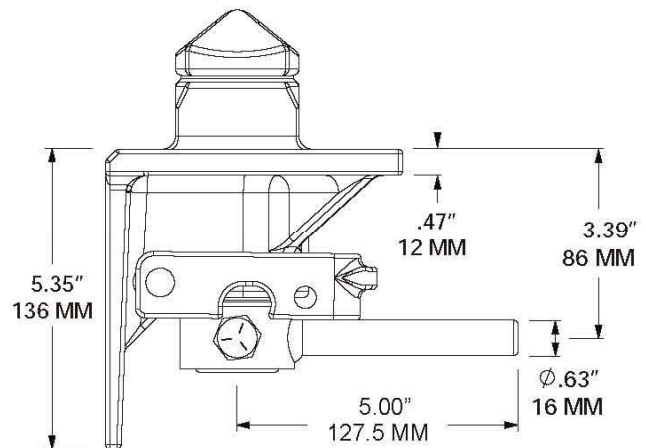
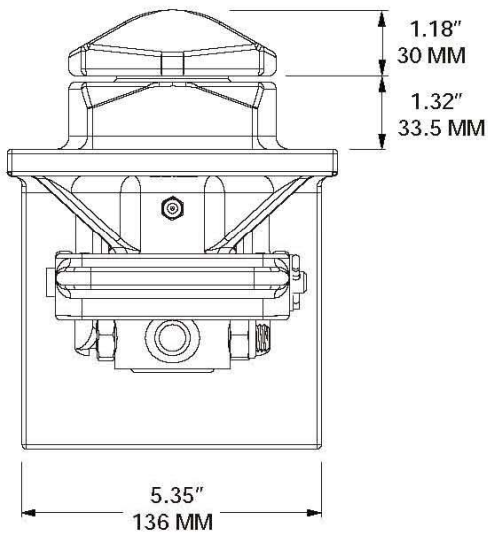


TWISTLOCKS STANDARD TYPE NON-RETRACTABLE

MODEL 1101-3594-NR



- NON-HANDED DESIGN, LOCKS TO EITHER LEFT OR RIGHT
- CAST STEEL HOUSING AND FORGED STEEL PIN
- MEETS AAR SPECIFICATIONS FOR RAIL USE
- OVERSIZE BACKPLATE FOR LARGER BOLSTER
- GREASE FITTING



WEIGHT: 18.4 LBS / 8.35 KGS
FINISH: WELDABLE PRIMER



**TWISTLOCKS
STANDARD TYPE
NON-RETRACTABLE**

MODEL 1101-3594-NR

